
USER MANUAL

MODEL NUMBER:

CTX1

CTX2

CTX3

CTX4

AND RELATED UNITS

**Chemical Transfer Unit For Up To Four
Products**

English (Original Instructions)

READ ALL INSTRUCTIONS BEFORE OPERATING EQUIPMENT

WARNING



Read this manual completely and understand the machine before operating or servicing it.

- Read all instructions before installing or operating unit.
- Always wear appropriate personal protective equipment (PPE) when operating or servicing unit.
- Always follow all chemical safety precautions and handling instructions provided by the chemical manufacturer and Safety Data Sheet (SDS).
- If this unit is modified or serviced with parts not listed in this manual, the unit may not operate correctly.
- Never point the discharge hose at yourself, another person, or any object you do not want covered in chemical.
- Do not exceed an incoming air pressure of 100 psi (7 bar).
- Do not exceed a fluid temperature of 100°F (37°C).
- Always flush the unit with fresh water for 5 minutes when switching from an alkaline to an acid or an acid to an alkaline.
- Never use unit with hydrocarbons or flammable products.
- Only use clean and dry air. Air must be filtered and free of moisture or pump life will be diminished. If needed, install an air dryer before unit.
- Do not use an air lubricator before the unit.
- Never use unit if it is damaged or leaking.
- Unit must be depressurized when not in use and before disassembling unit or performing maintenance.

PROTECT THE ENVIRONMENT

Please dispose of packaging materials, old machine components, and hazardous fluids in an environmentally safe way according to local waste disposal regulations.



Always remember to recycle.

*Specifications and parts are subject to change without notice.

READ ALL INSTRUCTIONS BEFORE OPERATING EQUIPMENT

OPTIONS		
CTX	Number of Pumps	Pump Seal Material
	One (1)	Santoprene (S)
	Two (2)	Viton (V)
	Three (3)	Kalrez (K)
	Four (4)	

Add bold option codes to item number as shown. For all Santoprene options, no option code is needed.

Examples:

- CTX1 (Unit with one product; one pump with Santoprene pump seals)
- CTX2VK (Unit for two products; one pump with Viton and one pump with Kalrez pump seals)
- CTX3V (Unit for three products; three pumps with Viton pump seals)
- CTX4SVKK (Unit for four products; one pump with Santoprene pump seals, one pump with Viton pump seals, two pumps with Kalrez pump seals)

REQUIREMENTS	
Compressed air requirements	Air regulator (R25) factory set at 50 psi (3.4 bar). Operating range is 20 to 80 psi (1.4 to 5 bar) with 2 CFM
Liquid temperature range	40-100°F (4.4-37°C)
Chemical compatibility	Chemical products used with this equipment must be formulated for this type of application and compatible with unit materials. For more information on chemical compatibility, consult the manufacturer or SDS for your product or contact our customer service department.

SPECIFICATIONS	
Power type	Compressed air
Number of products unit can draw from	One product per pump
Suction line length/diameter	8 ft. (2.4 m) hose with 1/2 in. (12.7 mm) inside diameter
Discharge hose diameter/length	8 ft. (2.4 m) hose with 1/2 in. (12.7 mm) inside diameter
Discharge wand/tip type	Trigger gun
Flow rate*	3.5 gal/min (13.2 l/min) per pump
Pump seals	Santoprene, Viton, or Kalrez

*Flow rates given are based on chemical with viscosity of water and factory air pressure settings.

READ ALL INSTRUCTIONS BEFORE OPERATING EQUIPMENT

Installation Instructions:

1. Remove all components from packaging.
2. Select desired area to mount the unit.
3. Mount the unit to the wall using the longer screws (WMS14-2) and plastic anchors (WMS14A) provided in the parts package.
Note: To drill holes for the plastic anchors, use a 5/16 inch drill bit.
4. If desired, mount the wand brackets (FDC-BRKT) using the screws (WMS14) and plastic anchors (WMS14A) provided in the parts package.
5. With the air inlet valve in the closed position, connect 3/8 inch tubing air line to the air inlet quick-fit (QF1438).

Operation Instructions:

1. Follow all instructions from chemical manufacturer. Place the chemical suction line into a container of chemical solution.
2. Open the air inlet valve (BVB14). For units with 2 or more pumps, verify the quick-fit shut off valves (QFSOV14) are open.
3. Activate the unit by using the trigger gun (SSG12) and dispense into appropriate container.
4. Release the trigger to stop the flow of product.

After Use Instructions:

Depressurize unit when not in use and before disassembling unit or performing maintenance.

1. Shut off the air supply to the unit by closing the air inlet valve (BVB14).
2. Open the discharge valve (SSG12) to relieve any pressure remaining in the unit.
3. Close the discharge valve (SSG12) after all pressure has been relieved from the unit. Store the unit with the discharge valve (SSG12) in the closed position.

Maintenance Instructions:

To keep your chemical transfer unit operating properly,

periodically perform the following maintenance procedures:

Note: Before performing any maintenance, ensure that the unit has been depressurized according to the "After Use Instructions."

- Inspect the pump (P56/P56K/P56V) for wear and leaks.
- Inspect all hoses for leaks or excessive wear. Make sure all hose clamps are in good condition and properly secured.
- Replace the filter (AFR25) located within the air regulator

(R25) as needed. Clean by unthreading the air regulator bowl (ABR25) from the air regulator (R25).

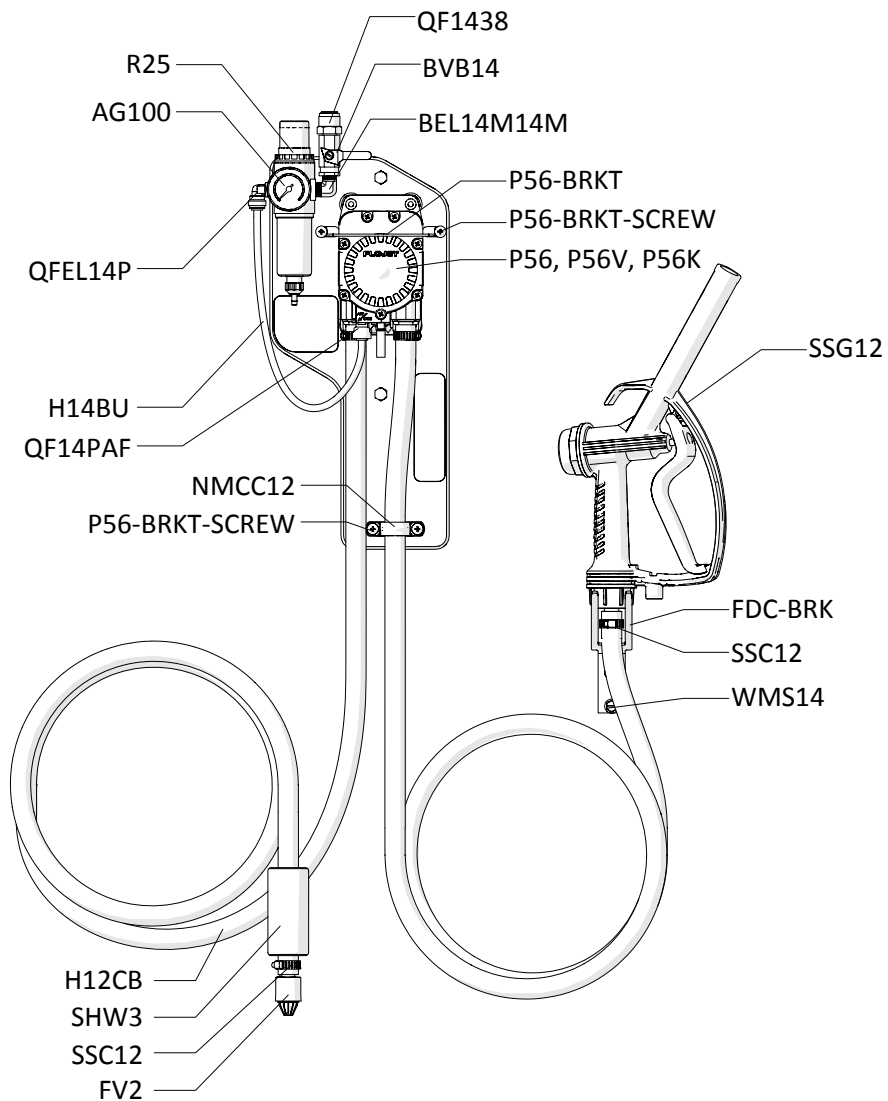
- Check the chemical suction line and strainer (FV2) for debris and clean as needed.
- Drain your air compressor tank on a regular basis to help extend pump life. An air source with a high moisture content will accelerate pump wear.
Note: If your air source has a high moisture content, you may wish to install a water separator (item number WS-20CFM, sold separately) before the unit.

Troubleshooting Instructions:

- If air passes through the pump (P56/P56K/P56V) without cycling, the pump needs to be replaced.
- Check for proper air pressure on the air gauge (AG100). The air regulator (R25) is factory set at 50 psi (3.4 bar). Operating range is 40 to 80 psi (3 to 5 bar) with 2 CFM (56.6 l/min).
- If the unit operates at a reduced pressure:
 - o Check the air compressor supplying the unit. If the pressure is less than 40 psi, turn the unit off until the compressor can catch up.
 - o If the air supply is 50 psi (3.4 bar) or above, check the air gauge (AG100), which should read near 50 psi (3.4 bar). If the air gauge reads more or less than 50 psi (3.4 bar), adjust the pressure by turning the knob on the top of the air regulator (R25).
- Check the chemical suction line and strainer for debris or damage. Clean or replace as needed. To prevent damage to the unit, the strainer (FV2) must always be used.

READ ALL INSTRUCTIONS BEFORE OPERATING EQUIPMENT

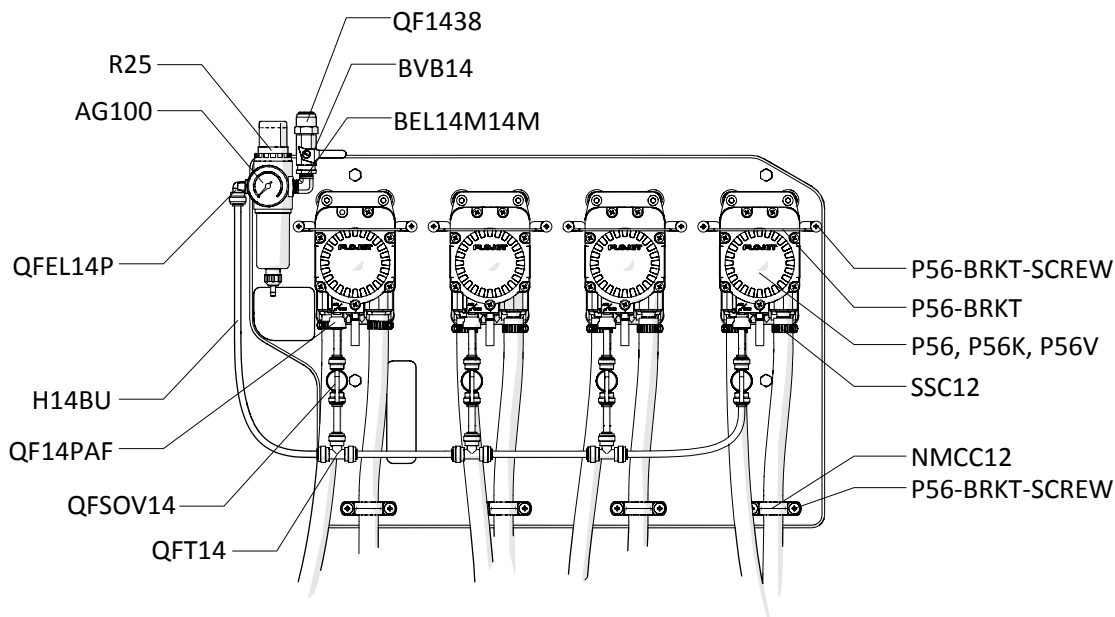
CTX1 and related units



READ ALL INSTRUCTIONS BEFORE OPERATING EQUIPMENT

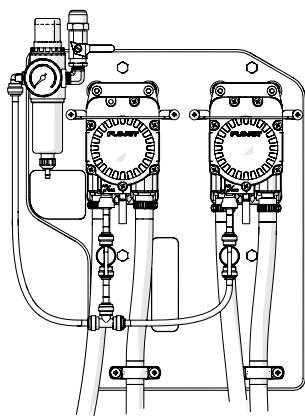
CTX4 and related units

(not pictured: suction hoses and discharge wands)



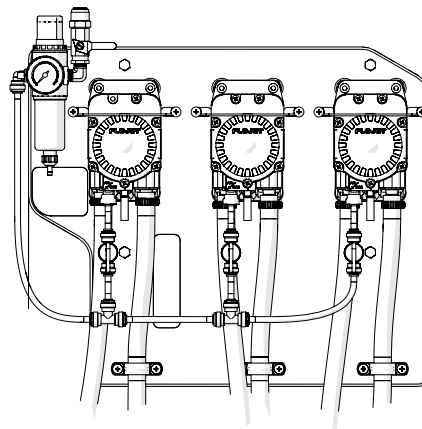
CTX2 and related units

(not pictured: suction hoses and discharge wands)



CTX3 and related units

(not pictured: suction hoses and discharge wands)



READ ALL INSTRUCTIONS BEFORE OPERATING EQUIPMENT

ITEM NUMBER	DESCRIPTION
AG100	1.5 INCH DRY MODEL 20 DUAL SCALE GAUGE
BEL14M14M	ELBOW 1/4in MPT X 1/4in MPT
BVB14	AIR INLET VALVE - VA BRS 025-4F4F-BT, NICKEL
EC14-2	OETIKER CLAMP 13.8
FDC-BRKT	WALL MOUNT HANGING BRACKET
FV2	FOOT VALVE, VITON, BLUE
H12CB	1/2 IN (ID) CLEARBRAID RF SERIES
H14BU	1/4in OD BLUE POLYURETHANE TUBING - Available per ft.
NMCC12	1/2in NONMETALLIC CONDUIT CLAMP
P18	PLUG 1/8 MPT HEX HEAD 304 SS
P56	PUMP WITH SANTOPRENE SEALS - INCLUDES HOSE BARBS, AIR FITTING, AND EXHAUST BARB
P56K	PUMP WITH KALREZ SEALS - INCLUDES HOSE BARBS, AIR FITTING, AND EXHAUST BARB
P56V	PUMP WITH VITON SEALS - INCLUDES HOSE BARBS, AIR FITTING, AND EXHAUST BARB
20756103B	Polypro G57 Air Port x HB Straight, w/ Viton o-ring
HB14P	1/4in BRASS HB AIR FITTING /G57/P56
HB5638	HOSE BARB FOR P56 PUMP
HB5638K	HOSE BARB FOR P56K PUMP
HB5638V	HOSE BARB FOR P56V PUMP

P56-BRKT	PUMP BRACKET- STAINLESS STEEL
P56-BRKT-SCREW	HI LO SCREW FOR RETAINING P56-BRKT
P56-SSPIN	STAINLESS DOWEL PIN - 5MM DIA X 30MM LONG
PL-CT1	PLATE FOR CTX1
PL-CT2	PLATE FOR CTX2
PL-CT3	PLATE FOR CTX3
PL-CT4	PLATE FOR CTX4
QF1438	QUICK FIT-1/4 MPT X 3/8 OD TUBE-POLYPROPYLENE
QF14PAF	QUICK FIT-1/4 MPT PUMP AIR FITTING
QFEL14P	FIXED ELBOW 1/4in TUBE X 1/4in MPT - POLYPROPYLENE
QFSOV14	SHUT OFF VALVE 1/4in TUBE - POLYPROPYLENE
QFT14	UNION TEE 1/4in TUBE - POLYPROPYLENE
R25	AIR REGULATOR - 1/4fpt TWO PORT 1/8fpt TWO PORT - INCLUDES FILTER AND BOWL
REGBRKT	A33-82 BRACKET,MTG
SHW3	3in LONG COATED WEIGHT
SSC12	STAINLESS SCREW BAND CLAMP FOR 1/2 IN HOSE
SSG12	ECONO-GUN, 1/2in HOSE BARB CONNECTION
WMS14	14 X 1 1/4 HEX W/H SMS SLOTT, S/S
WMS14-2	1/4in X 2in LAG SCREW STAINLESS STEEL
WMS14A	5/16 X 1 1/2 STRAIGHT PLASTIC ANCHOR