

---

**READ ALL INSTRUCTIONS BEFORE OPERATING EQUIPMENT**

User Manual for Models:

---

**FI-15 RM**

**FI-15 RMK**

**FI-15 RMV**

| 15 Gallon Portable Foam Unit |

**READ ALL INSTRUCTIONS BEFORE OPERATING EQUIPMENT**

---

## **READ ALL INSTRUCTIONS BEFORE OPERATING EQUIPMENT**

### **Specifications:**

Hose .....30 feet reinforced hose, 3/4 inch I.D.  
(9 meters reinforced hose, 3/4 inch I.D.)

Foam output.....20 to 45 gallons/minute  
(75 to 170 liters/minute)

Foam output distance... 25 to 30 feet (7 to 9 meters)

### **Requirements:**

Compressed air 40 to 80 PSI (3 to 5 bar) with 5 to 8 CFM (141.64 to 226.62 l/min)

Chemical requirements: follow all instructions from chemical manufacturer.

### **Air Operated Double Diaphragm Pump Options:**

P56.....Flojet polypropylene body with Santoprene diaphragm

P56V..... Flojet polypropylene body with Viton diaphragm

P56K..... Flojet polypropylene body with Kalrez diaphragm

**Acceptable Products:** Alkaline cleaners, Caustic cleaners, Sanitizers, and Acids.

\* D-Limonene may only be used with Kalrez pump

\* Chlorine may only be used with Viton or Kalrez pump

**DO NOT USE: All hydrocarbons**



## **WARNING**

### **Avoid Personal Injury**



1. Always wear protective clothing, gloves, and eye wear while operating foam unit.



2. Avoid contact of cleaning agent with skin and eyes. If contact occurs, see MSDS sheet for further first aid measures.



3. Follow safety instructions of chemical manufacturer (MSDS).

4. After each use, relieve all remaining pressure in the system by unplugging the air line from the unit and opening the discharge ball valve to prevent accidental discharge.

5. Never point the discharge wand at anyone.

6. After relieving the pressure from the unit, store the unit with the ball valve in the closed position.



## **CAUTION**

### **Avoid Equipment Damage**

1. Only use clean and dry air. Air must be filtered and free of moisture or pump life will be diminished. If needed, install air dryer before unit.

2. Do not use air lubricator before the unit.

3. Be sure to flush the unit with fresh water for 5 minutes when switching from an alkaline to an acid or an acid to an alkaline.

4. Do not exceed a fluid temperature of 110°F (43°C).

## **READ ALL INSTRUCTIONS BEFORE OPERATING EQUIPMENT**

### **Operation Instructions:**

1. Follow all instructions from chemical manufacturer. Fill the tank with pre-mixed solution.
2. With HV60 in the closed position, plug an air line into the AP25.
3. Slowly open the HV60.
4. Adjust the NV14Y to desired wetness or dryness of foam following the steps below:
  - a. Close NV14Y completely in clockwise direction.
  - b. Open NV14Y in counter-clockwise direction 3 complete turns.
  - c. Continue to open valve in ¼ turn increments allowing 30 seconds between adjustments until proper consistency of foam is achieved.

### **After Use Instructions:**

1. It is recommended to run a gallon of fresh water through the unit after each use. With the HV60 ball open, run the unit until the gallon of water has gone through the unit and discharged out the discharge hose.
2. Disconnect the air line from the AP25 and relieve any remaining pressure in the system by having the HV60 in open position.
3. Close the HV60 when all the pressure is relieved from the system.

### **Maintenance Instructions:**

To keep your portable tank foamer operating properly, periodically perform the following maintenance procedures:

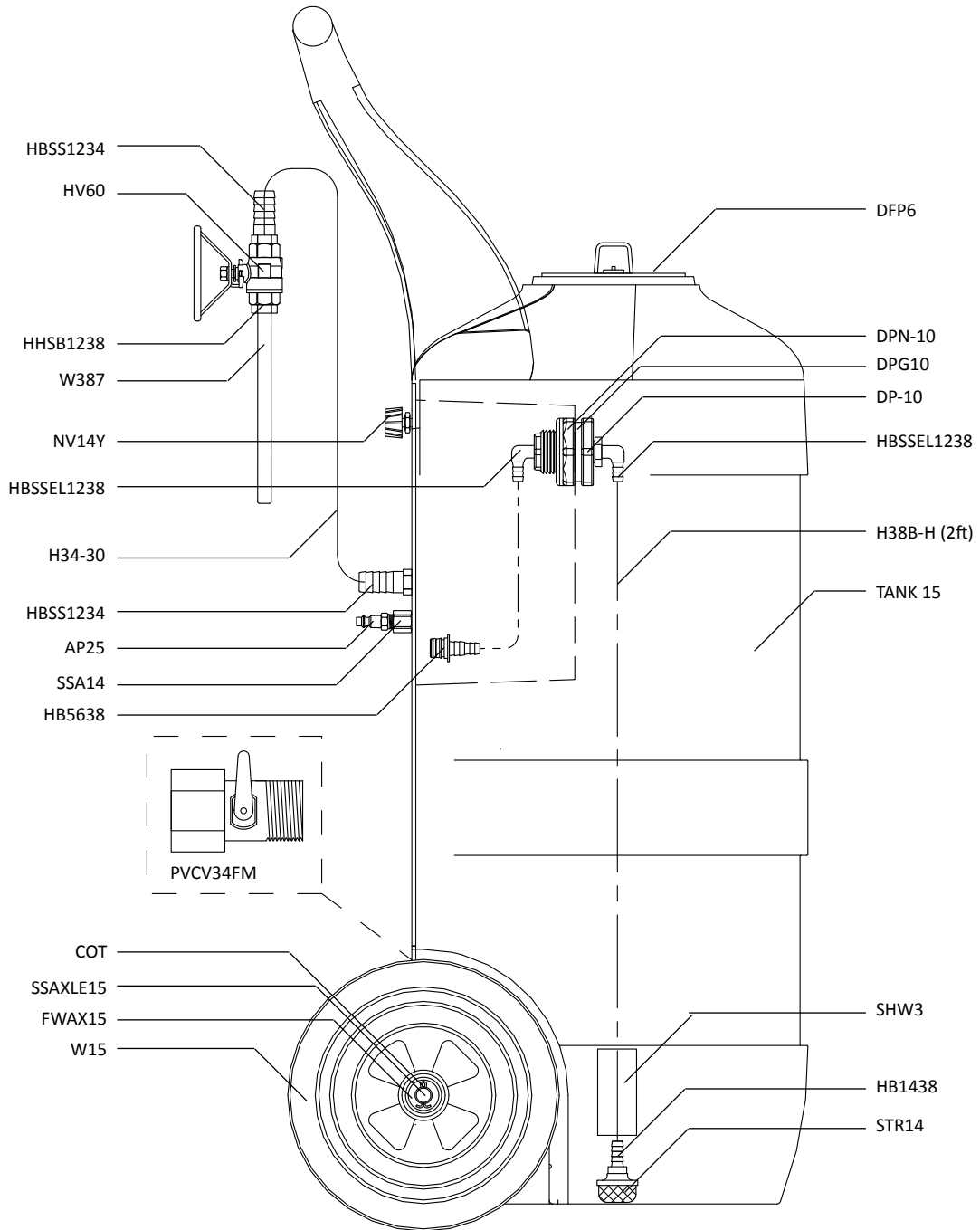
- Check the air pump (P56/P56K/P56V) for wear and leaks.
- Inspect hoses for leaks or excessive wear. Make sure all hose clamps are in good condition and properly secured.
- Replace filter (AFR25) in regulator (R25) as needed.
- Check the suction tube and screen for debris and clean as needed.
- Drain compressor tank on a regular basis to ensure proper operation of pump.

### **Troubleshooting Instructions:**

1. Check for proper air pressure on air gauge (AG100). Air pressure is to be 50 to 60 psi (3.45 to 4.14 bar).
2. Check ABR25 for debris such as water, oil, or rust particles. Clean by unthreading the ABR25 from the R25.
3. Check for plugged STR34. Replace STR34 if necessary. STR34 must be used.
4. If NV14Y valve is open too far the P56 will cycle improperly due to lack of air pressure, if this occurs, reset NV14Y as described in Operation Instruction #4.
5. Make sure proper foaming chemical and concentration is being used.
6. If air passes through the P56 without cycling, replace P56.
7. If foam solution backs up into ABR25, the CV38 needs to be replaced.
8. If foam comes out wet, no matter where the NV14Y valve is positioned, the CV38 may need to be replaced.
9. If the unit foams at a reduced pressure:
  - a. Check the air compressor supplying the unit. If the pressure is less than 40 PSI, turn the foam unit off until the compressor can catch up.
  - b. If the air supply is 60 psi (4.14 bar) or above, check the AG100, which should read near 60 psi (4.14 bar). If the AG100 is more or less than 60 psi (4.14 bar), adjust the pressure by turning the knob on the top of the R25.
  - c. If both of the above are okay, the stainless steel mixing mesh could be plugged. Remove and clean it by following the instructions below:
    - i. Be sure the foam unit is not plugged into an air supply and be sure to relieve all stored pressure in the unit by having the HV60 in the open position.
    - ii. Remove the HBSS1234 from the SST12HB38.
    - iii. Remove the screen and the mixing mesh from inside the SST12HB38.
    - iv. Clean any particles from the mixing mesh and the screen.
    - v. Replace the mixing mesh and then the screen into the back of the tee and screw the hose barb back into the tee. It is recommended to use a pipe thread sealant when reinstalling the HBSS1234 into the SST12HB38. If the mixing mesh has a lot of foreign particles in it, make sure the STR34 is still in place.

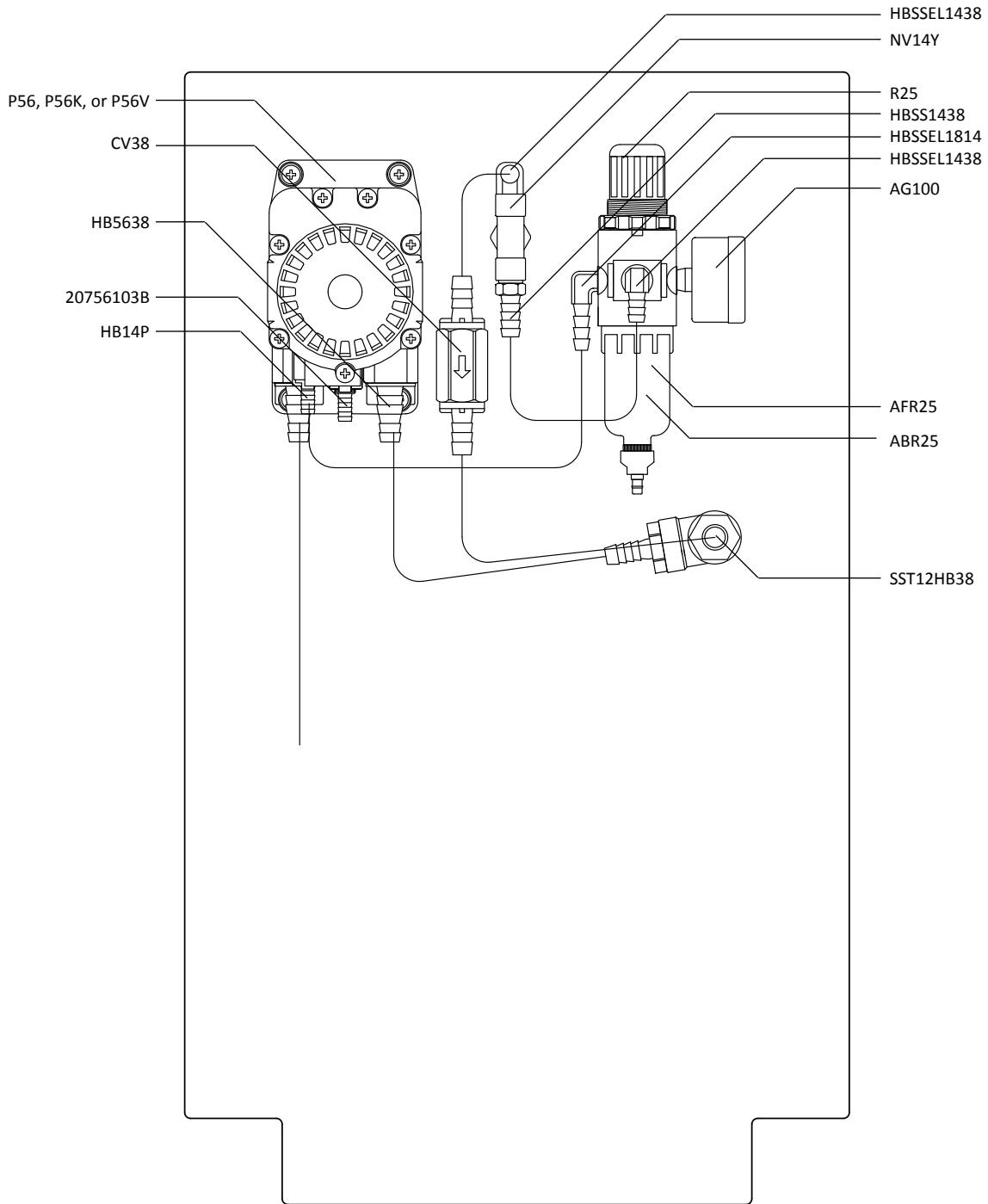
READ ALL INSTRUCTIONS BEFORE OPERATING EQUIPMENT

Inside View - Side View



READ ALL INSTRUCTIONS BEFORE OPERATING EQUIPMENT

Inside View - Control Box



**READ ALL INSTRUCTIONS BEFORE OPERATING EQUIPMENT**

**Parts List**

ITEM NUMBER	DESCRIPTION
AG100	1.5 INCH DRY MODEL 20 DUAL SCALE GAUGE
AP25	PLUG 1/4 NPTM AIR FITTING - BRASS
AS1-VS	1/4-20 X 1/2 PHIL TRUSS MACH SCREW 19-8 W/516 ORANGE VIBRASEAL PATCH
B103234	10-32 X 3/4 PHIL TRUSS MACH SCR 18-8
B8X58	8-15 X 5/8 inch PHIL FLAT TY-A 316 S.S.
COT	1/8 X 1 COTTER PIN 18-8 S/S
CV38	PVC CHECK VALVE 3/8 BARBS - SS SPRING
DFP6	6 INCH THREADED CAP
DP-10	BULKHEAD BODY 1/2 FPT
DPG-10	BULKHEAD GASKET
DPN-10	BULKHEAD RETAINING NUT
EC14-2	OETIKER CLAMP 13.8
EC75	OETIKER CLAMP-12/04/07
F34SS-L	SS CRIPM FERRULE 1.90inches X 1.5 inches LONG
FWAX15	FLAT AXLE WASHER
FWP12	7/8 ID X 1.5 OD X 0.05 THK SSFW
FWP14	C-816 1/2in SS WASHER
H14B-H	1/4 INCH BLUE HOSE- GOODYEAR HORIZON - Available per ft.
H34B-H	3/4 INCH BLUE GOODYEAR HORIZON HOSE - Available per ft.
H34-30	30ft OF 3/4in REPLACEMENT HOSE WITH FITTINGS
H38B-H	3/8 INCH BLUE GOODYEAR HORIZON HOSE - Available per ft.
HB1438	1/4in MPT X 3/8in HOSE BARB (PLASTIC)
HBSS1234	STAINLESS HOSE BARB 1/2 X 3/4
HBSS1438	STAINLESS HOSE BARB 1/4 MPT X 3/8 BARB
HBSEL1238	304 S.S. 1/2in MPT BY 3/8in H.B. ELBOW
HBSEL1438	STAINLESS HOSE BARB ELBOW 1/4 INCH NPT X 3/8 HOSE BARB
HBSEL1814	304 STAINLESS ELBOW 1/8 INCH NPT X 1/4 INCH HOSE BARB
HHSB1238	HEX HEAD S.S. REDUCER BUSHING 1/2in X 3/8
HV60	1/2in STAINLESS BALL VALVE - w/ WELDED NUT
NV14Y	FLOW CONTROL VALVE - INCLUDES BLACK KNOB
NV14Y-HNDL	KNOB FOR 2839-1/4 NEEDLE VALVE

P56	5700 PUMP WITH SANTOPRENE SEALS - INCLUDES HOSE BARBS, AIR FITTING, AND AIR PORT
P56K	5700 PUMP WITH KALREZ SEALS - INCLUDES HOSE BARBS, AIR FITTING, AND AIR PORT
P56V	5700 PUMP WITH VITON SEALS - INCLUDES HOSE BARBS, AIR FITTING, AND AIR PORT
20756103B	Polypro G57 Air Port x HB Straight, w/ Viton o-ring
HB14P	1/4in BRASS HB AIR FITTING /G57/P56
HB5638	HOSE BARB FOR P56 PUMP
HB5638K	HOSE BARB FOR P56K PUMP
HB5638V	HOSE BARB FOR P56V PUMP
PL15	PLATE FOR 15 GAL TANK W/ HOLES
PVCV34FM	PVC VALVE 3/4in FPT X 3/4in MPT
R25	AIR REGULATOR INCLUDES AIR FILTER AND BOWL
AFR25	AIR FILTER for R25
ABR25	METAL AIR BOWL for R25
S142058-VS	1/4-20 X 5/8 PHIL TRUSS MACHINE SCREW 18-8 W/#516 VIBRASEAL ORANGE PATCH
SHW3	3in LONG COATED WEIGHT
SSA14	SS304 MALE/FEMALE ADAPTOR 1/4 NPT X 1/4 NPT
SSAXLE15	STAINLESS STEEL AXLE 15.625 INCHES LONG BY 5/8 INCH IN DIAMETER DRILLED AND BEVELED
SSC38	WORM GEAR CLAMP, S/S (.25-.63)
SSP12	STAINLESS STEEL AXLE PLATE - 2.5 inch X 1 inch - 2 HOLE
SSST	SCREEN DISC .687 DIA. 10 X 10 MESH @ .020 DIA. 300 SERIES S.S.
SST12HB38	STAINLESS TEE COMBO 1/2in FPT X 3/8 in BARB WITH SSST AND S.S. MESH
SS-MESH	STAINLESS STEEL MESH WITH SSST FOR REPLACEMENT
STR14	40 MESH SUCTION LINE STRAINER 1/4 MNPT
TANK 15	15 GALLON ROTOMOLDED TANK - GRAY
TW916	1/2 INT TOOTH L/W 410SS
W15	NONMARKING WHEEL FOR PORTABLE UNITS
W387	S.S. 304 SPRAY WAND 3/8in MPT X 7in LONG - THREAD ON ONE END