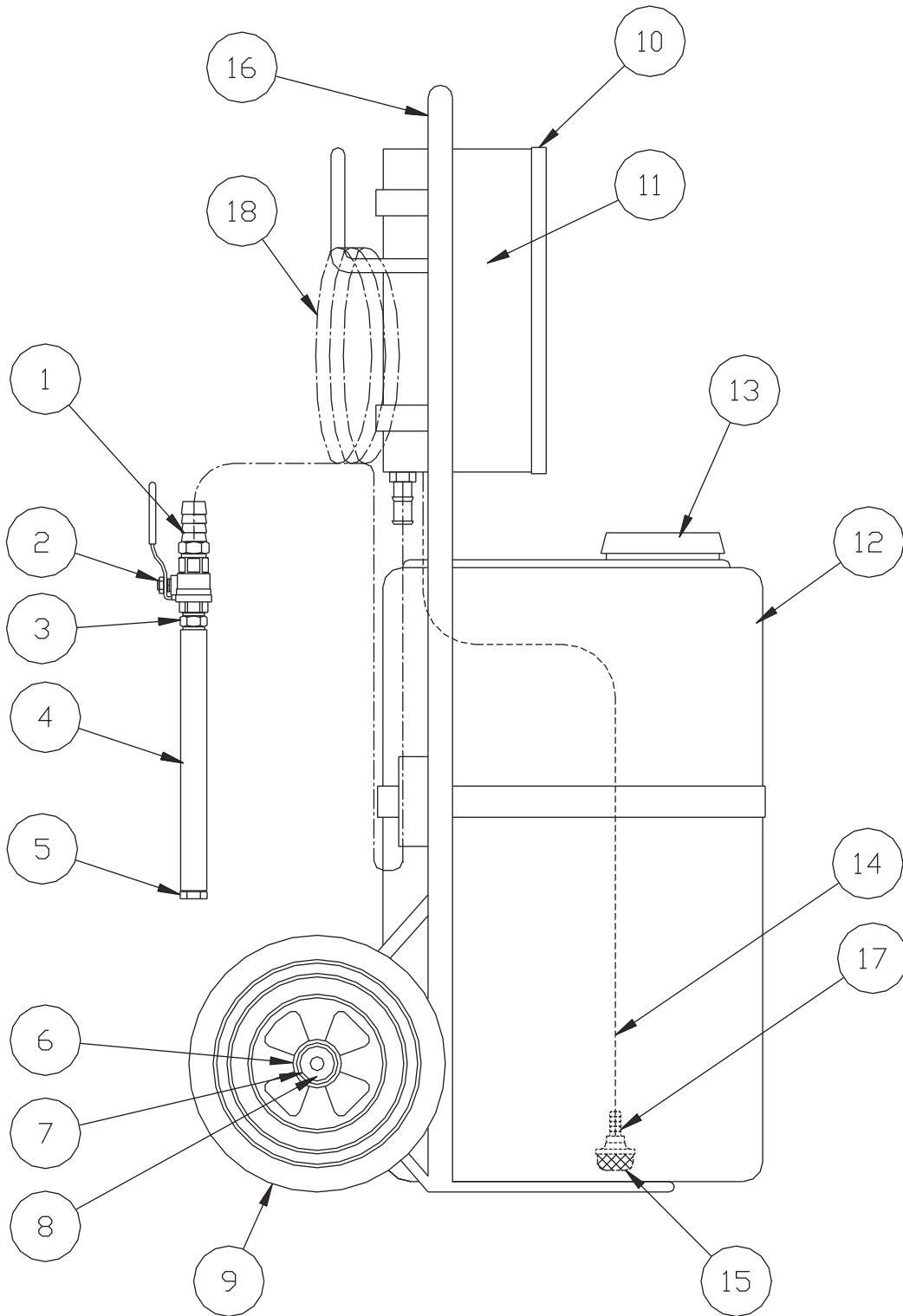


FI-15



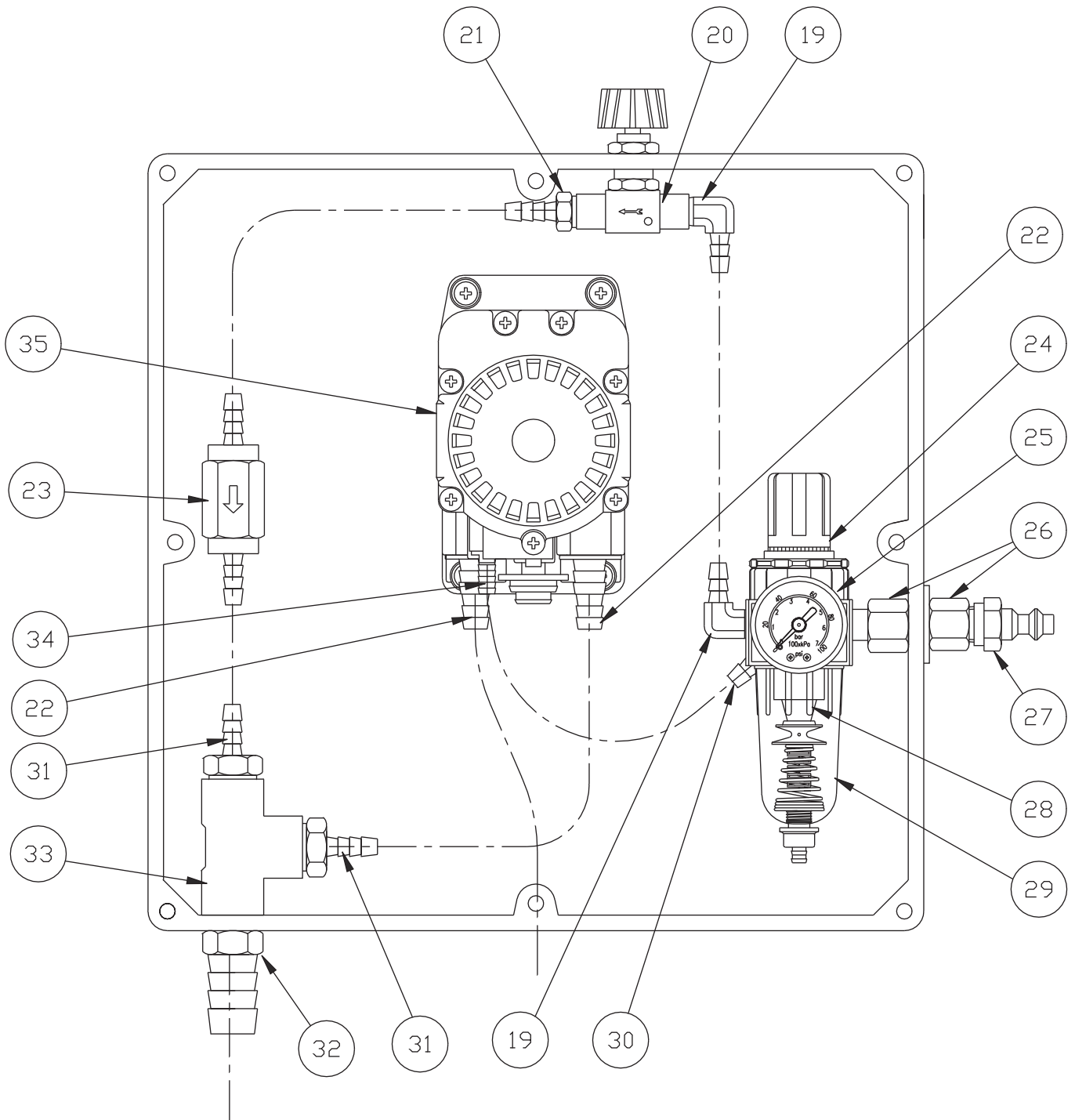
OWNER'S MANUAL

FI-15



SIDE VIEW

FI-15



**FRONT VIEW - CONTROL BOX
COVER REMOVED**

FI-15

PARTS LIST

ITEM ART.	PART NO. NO. DE PIEZA	DESCRIPTION	DESCRIPCION
	PW34	POLY WAND, INCLUDES ITEM# 4 & 5	VARA DE POLIETILENO, INCLUIDO ARTICULO 4 & 5
	PWA34	POLY WAND ASSEMBLY, INCLUDES ITEM #1, 2, 3, 4 & 5	ASAMBLEA DE VARA DE POLIETILENO, INCLUIDO ART. 1, 2, 3, 4 & 5
1	HBSS1234	STAINLESS HOSE BARB 1/2 X 3/4	PUA DE S.S. PARA MANGUERA DE 1/2" X 3/4"
2	HV55	BRASS BALL VALVE 1/2" FPT X 1/2" MPT	VALVULA DE BOLA DE BRONCE DE 1/2" FPT X 1/2" MPT
3	SN1212	STAINLESS HEX NIPPLE 1/2" MPT	ADAPTADOR DE BRONCE DE 1/2"
4	PW10	POLY WAND 10"	VARA DE POLIETILENO DE 10"
5	HHPB1214	HEX HEAD POLY BUSHING 1/2" X 1/4"	MANGUITO DE POLIETILENO DE 1/2" X 1/4"
6	COT	COTTER PIN	PASADOR
7	FWAX15	AXEL WASHER	ARANDELA DE EJE
8	WB5	POLY BUSHING	MANGUITO DE POLIETILENO
9	W15	RUBBER WHEEL	RUEDA DE GOMA
10	PL1212-15	12X12 POLYETHYLENE LID WITH DECAL	CUBIERTA Y CALCOMANIA DE LA CAJA
11	PB12126	12X12X6 POLYETHYLENE BOX	CAJA DE CONTROL DE POLYETHYLENE
12	D-15	15 GALLON DRUM ASSEMBLY W/SUCTION HOSE*	ASAMBLEA BIDON DE 15 GALONES (56.78 L)
13	DFP4	DRUM FILL CAP	TAPON DE LLENADO DEL BIDON
14	H38-33"	SUCTION HOSE	MANGUERA DE SUCCION
15	STR14	STRAINER	COLADOR
16	CRT15	15 GALLON CART	CARRETA DE 15 GALONES
17	HB1438	POLY HOSE BARB 1/4" X 3/8"	PUA DE POLIETILENO PARA MANGUERA DE 1/4" X 3/8"
18	H34-30'	30' X 3/4" DISCHARGE HOSE	MANGUERA DE 30' (9 M) X 3/4"
19	HBEL1438	BRASS HOSE BARB ELBOW 1/4" X 3/8"	CODO DE PUA DE BRONCE PARA MANGUERA DE 1/4" X 3/8"
20	NV14Y	NEEDLE VALVE	VALVULA DE AGUJA
21	HBB1438	BRASS HOSE BARB 1/4" X 3/8"	PUA DE BRONCE PARA MANGUERA DE 1/4" X 3/8"
22	HB5638	PUMP HOSE BARB 3/8"	PUA PARA MANGUERA DE BOMBA DE 3/8"
23	CV38	PVC CHECK VALVE	VALVULA DE RETENCION DE PVC
24	R25	REGULATOR & FILTER COMBO, INCLUDES ITEM# 28 & 29	COMBINACION DE REGULADOR Y FILTRO, INCLUIDO ART. 28 & 29
25	AG100	AIR GAUGE	CALIBRADOR DE AIRE
26	BA25	1/4" BRASS ADAPTER	ADAPTADOR DE BRONCE DE 1/4"
27	AP25	AIR PLUG	TAPON DE AIRE
28	AFR25	REPLACEMENT AIR FILTER FOR R25	FILTRO DE AIRE DE REPUESTO
29	ABR25	REPLACEMENT AIR BOWL FOR R25	BOLA DE AIRE DE REPUESTO
30	HBEL1814	BRASS HOSE BARB ELBOW 1/8" X 1/4"	CODO DE PUA DE BRONCE PARA MANGUERA DE 1/8" X 1/4"
31	HBB1238	BRASS HOSE BARB 1/2" X 3/8"	PUA DE BRONCE PARA MANGUERA DE 1/2" X 3/8"
32	HBSS1234	STAINLESS HOSE BARB 1/2 X 3/4	PUA DE S.S. PARA MANGUERA DE 1/2" X 3/4"
33	SST12	1/2"S.S.TEE	TE DE ACERO INOXIDABLE DE 1/2"
34	HB14P	PUMP HOSE BARB 1/4"	PUA PARA MANGUERA DE BOMBA DE 1/4"
35	P56	PUMP	BOMBA

* INCLUDES: H38-33, HB1438, STR14, DFP4

FI-15

SAFETY INSTRUCTIONS

1. ALWAYS WEAR SAFETY GOGGLES AND PROTECTIVE GLOVES WHILE OPERATING FOAM UNIT.
2. AVOID CONTACT OF CLEANING AGENT WITH SKIN AND EYES. IF CONTACT OCCURS RINSE AFFECTED AREA WITH WATER FOR 15 MINUTES AND GET MEDICAL ATTENTION IF NEEDED.
3. AFTER USE, RELIEVE ALL REMAINING PRESSURE IN THE SYSTEM BY UNPLUGGING THE AIR LINE FROM THE UNIT (ITEM# 27) AND OPENING THE DISCHARGE BALL VALVE (ITEM# 2).
4. NEVER POINT THE DISCHARGE BALL VALVE AT ANYONE.
5. BE SURE TO FLUSH THE UNIT WITH FRESH WATER FOR 5 MINUTES WHEN SWITCHING FROM AN ALKALINE TO AN ACID OR AN ACID TO AN ALKALINE.

SET-UP INSTRUCTIONS

1. REMOVE ALL PARTS FROM SHIPPING BOX.
2. CLIP THE CABLE TIE HOLDING THE AIR FITTING (ITEM# 27), COTTER PINS (ITEM# 6), AND AXLE WASHERS (ITEM# 7) FROM THE LEG OF THE CART.
3. PLACE ONE OF THE WASHERS (ITEM# 7) ON ONE OF THE AXLES, THEN SLIP A WHEEL (ITEM# 9) ON THE AXLE FOLLOWED BY A SECOND WASHER. THEN INSERT A COTTER PIN (ITEM# 6) INTO THE HOLE IN THE AXLE AND BEND THE COTTER PIN TO KEEP IT FROM FALLING OUT. REPEAT THIS FOR THE OTHER SIDE.
4. SCREW THE AIR PLUG (ITEM# 27) INTO THE BRASS FITTING ON THE SIDE OF THE CONTROL BOX (ITEM# 26). BE SURE TO HOLD THE BRASS FITTING WHILE TURNING THE AIR PLUG. DO NOT OVER-TIGHTEN.

OPERATION INSTRUCTIONS

1. FILL THE DRUM WITH COMBINATION OF WATER AND FOAMING CHEMICAL, 4 - 6 OZ. PER GALLON OF WATER IS RECOMMENDED.
2. WITH BALL VALVE (ITEM# 2) IN THE CLOSED POSITION, PLUG AN AIR LINE INTO THE AIR FITTING (ITEM# 27).
3. SLOWLY OPEN THE BALL VALVE (ITEM# 2).
4. ADJUST THE **WET FOAM / DRY FOAM** VALVE (ITEM# 20) TO DESIRED WETNESS OR DRYNESS OF FOAM FOLLOWING THE STEPS BELOW:
 - A. CLOSE VALVE COMPLETELY IN CLOCKWISE DIRECTION.
 - B. OPEN VALVE IN COUNTER-CLOCKWISE DIRECTION 3 COMPLETE TURNS.
 - C. CONTINUE TO OPEN VALVE IN 1/4 TURN INCREMENTS ALLOWING 30 SECONDS BETWEEN ADJUSTMENTS UNTIL PROPER CONSISTENCY OF FOAM IS ACHIEVED.
 - D. IF THE VALVE IS OPEN TOO FAR IT CAN CAUSE THE PUMP TO STALL OUT. IF THIS OCCURS BEGIN AGAIN WITH STEP A.

ACCEPTABLE PRODUCTS

- ALKALINE CLEANERS
- CAUSTIC CLEANERS
- SANITIZERS
- PHOSPHORIC ACIDS ONLY

UNACCEPTABLE PRODUCTS

- STRONG ACIDS
- ALL HYDROCARBONS
- D-LIMONENE

FI-15

AFTER USE INSTRUCTIONS

1. IT IS RECOMMENDED TO RUN A GALLON OF FRESH WATER THROUGH THE UNIT AFTER EACH USE. WITH THE DISCHARGE BALL VALVE (ITEM# 2) OPEN RUN THE UNIT UNTIL THE GALLON OF WATER HAS GONE THROUGH THE UNIT AND DISCHARGED OUT OF THE DISCHARGE HOSE.
2. DISCONNECT THE AIR LINE FROM THE AIR FITTING (ITEM# 27) AND RELIEVE ANY REMAINING PRESSURE IN THE SYSTEM BY HAVING THE DISCHARGE BALL VALVE (ITEM# 2) IN THE OPEN POSITION.
3. CLOSE THE DISCHARGE BALL VALVE (ITEM# 2) WHEN ALL THE PRESSURE IS RELIEVED FROM THE SYSTEM.

TROUBLE SHOOTING INSTRUCTIONS

1. CHECK FOR PROPER AIR PRESSURE (60 PSI OR MORE INTO UNIT, 60 PSI ON AG100 (ITEM# 25)).
2. CHECK AIR INLET FILTER (ITEM# 28) FOR DEBRIS SUCH AS WATER, OIL, OR RUST PARTICLES. CLEAN BY PRESSING UP ON THE BOTTOM OF THE FILTER.
3. CHECK FOR PLUGGED STRAINER (ITEM# 15). REPLACE STRAINER IF NECESSARY, **STRAINER MUST BE USED**.
4. IF **WET FOAM/DRY FOAM** VALVE (ITEM# 20) IS OPEN TOO FAR THE PUMP WILL NOT CYCLE PROPERLY DUE TO LACK OF AIR PRESSURE. IF THIS OCCURS, RESET VALVE AS DESCRIBED IN OPERATING INSTRUCTION #4.
5. MAKE SURE PROPER FOAMING CHEMICAL AND CONCENTRATION IS BEING USED.
6. IF AIR PASSES THROUGH THE PUMP (ITEM# 35) WITHOUT CYCLING, REPLACE PUMP.
7. IF FOAM SOLUTION BACKS UP INTO AIR FILTER (ITEM# 28) THE CHECK VALVE (ITEM# 23) NEEDS TO BE REPLACED.
8. IF FOAM COMES OUT WET NO MATTER WHERE THE **WET FOAM/DRY FOAM** VALVE IS POSITIONED THE CHECK VALVE (ITEM# 23) MAY NEED TO BE REPLACED.
9. IF UNIT FOAMS AT A REDUCED PRESSURE:
 - A. CHECK THE AIR SUPPLY INTO THE UNIT. IF IT IS LOW, TURN THE FOAM UNIT OFF UNTIL THE COMPRESSOR CAN CATCH UP.
 - B. IF THE AIR SUPPLY IS 60 PSI OR ABOVE, CHECK THE INTERNAL AIR GAUGE (ITEM# 25) WHICH SHOULD READ NEAR 60 PSI. IF THE GAUGE IS MORE OR LESS THAN 60 PSI, ADJUST THE PRESSURE BY TURNING THE KNOB ON THE TOP OF THE REGULATOR (ITEM# 24).
 - C. IF BOTH OF THE ABOVE ARE O.K., THE STAINLESS STEEL MIXING MESH COULD BE PLUGGED. REMOVE AND CLEAN IT FOLLOWING THE INSTRUCTIONS BELOW:
 1. BE SURE THE FOAM UNIT IS NOT PLUGGED INTO AN AIR SUPPLY AND BE SURE TO RELIEVE ALL STORED PRESSURE IN THE UNIT BY HAVING THE DISCHARGE BALL VALVE (ITEM# 2) IN THE OPEN POSITION.
 2. REMOVE THE HOSE BARB (ITEM# 32) FROM THE TEE (ITEM# 33).
 3. REMOVE THE SCREEN AND THE MIXING MESH FROM INSIDE THE TEE (ITEM# 33).
 4. CLEAN ANY PARTICLES FROM THE MIXING MESH AND THE SCREEN.
 5. REPLACE THE MIXING MESH THEN THE SCREEN INTO THE BOTTOM OF THE TEE (ITEM# 33) AND SCREW THE HOSE BARB (ITEM# 32) BACK INTO THE TEE (ITEM# 33). (IT IS RECOMMENDED TO USE A PIPE THREAD SEALANT WHEN REINSTALLING THE HOSE BARB INTO THE TEE). **NOTE:** IF THE MIXING MESH HAS A LOT OF FOREIGN PARTICLES IN IT, MAKE SURE THE STRAINER IS STILL IN PLACE (ITEM# 15).