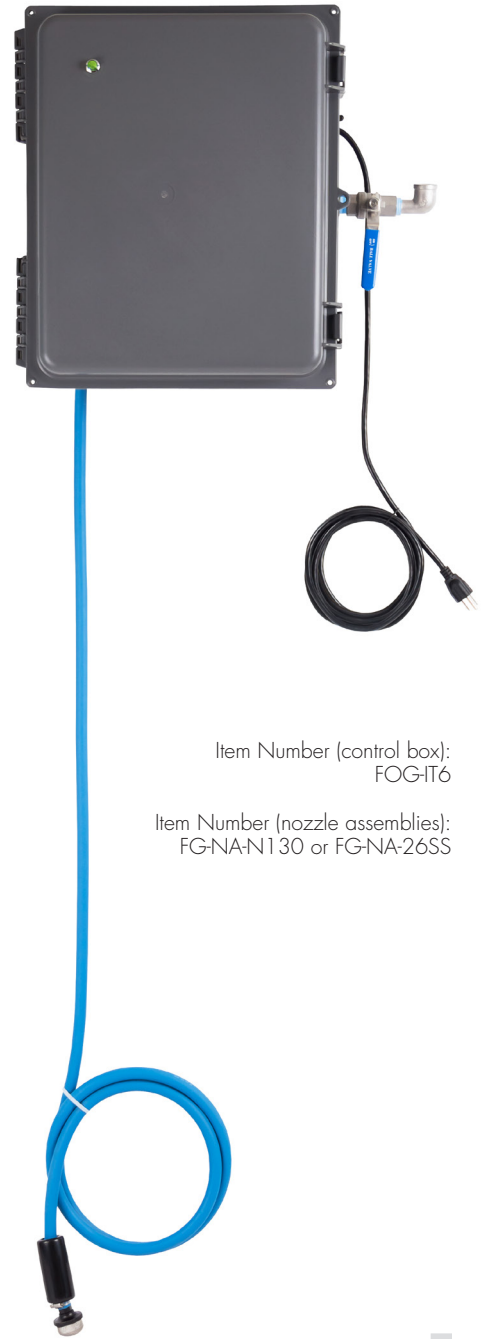




Wall-Mounted Fog System

For pre-mix products



Item Number (control box):
FOG-IT6

Item Number (nozzle assemblies):
FG-NA-N130 or FG-NA-26SS

Draws from pre-mixed solution

Powered by compressed air and electricity

Single shot timer with delay on make

Quick-change pump

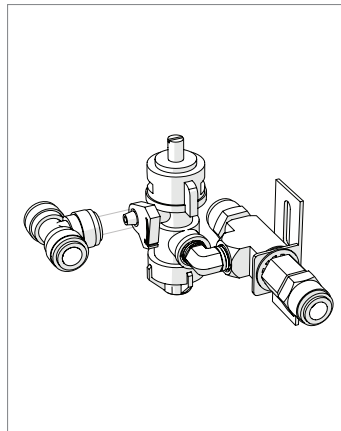
Two nozzle options available

With FG-NA-26SS nozzle assemblies:

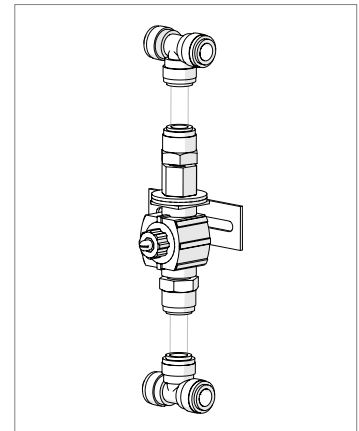
- Droplet size: 35 micron at 50 psi (3.4 bar)
- Celcon, stainless steel, EPDM and nylon nozzle construction
- Up to 12 nozzles per control box

With FG-NA-N130 nozzle assemblies:

- Droplet size: 15 micron at 50 psi (3.4 bar)
- Polypropylene and kynar nozzle construction
- Up to 20 nozzles per control box



FG-NA-26SS



FG-NA-N130