
USER MANUAL

MODEL NUMBER:

GI-5N

GI-5NK

GI-5NV

AND RELATED UNITS

**5 Gallon Air Operated Portable Gel
Equipment**

English (Original Instructions)

READ ALL INSTRUCTIONS BEFORE OPERATING EQUIPMENT

WARNING



Read this manual completely and understand the machine before operating or servicing it.

- Read all instructions before installing or operating unit.
- Always wear appropriate personal protective equipment (PPE) when operating or servicing unit.
- Always follow all chemical safety precautions and handling instructions provided by the chemical manufacturer and Safety Data Sheet (SDS).
- Never point the discharge wand at yourself, another person, or any object you do not want covered in chemical.
- Always depressurize unit after use (as described in the After Use Instructions). Always store unit depressurized, with the discharge ball valve in the closed position.
- Do not exceed an incoming air pressure of 100 psi (7 bar).
- Do not exceed a fluid temperature of 100°F (37°C).
- Only use clean and dry air. Air must be filtered and free of moisture or pump life will be diminished. If needed, install an air dryer before unit.
- Do not use an air lubricator before the unit.

PROTECT THE ENVIRONMENT

Please dispose of packaging materials, old machine components, and hazardous fluids in an environmentally safe way according to local waste disposal regulations.



Always remember to recycle.

*Specifications and parts are subject to change without notice.

READ ALL INSTRUCTIONS BEFORE OPERATING EQUIPMENT

OPTIONS	
	Pump Seal Material
GI-5N	Santoprene (standard)
	Viton (V)
	Kalrez (K)
Add bold option codes to item number as shown. For standard options, no option code is needed.	
Examples:	
<ul style="list-style-type: none"> GI-5N (standard unit with Santoprene pump seals) GI-5NV (unit with Viton pump seals) 	

REQUIREMENTS	
Compressed air requirements	40-80 psi (3-5 bar) with 2 cfm (28.3 l/min)
Liquid temperature range	40-100°F (4.4-37°C)
Chemical compatibility	Chemical products used with this equipment must be formulated for this type of application and compatible with unit materials and pump seals. For more information on chemical compatibility, consult the manufacturer or MSDS for your product or contact our customer service department.

SPECIFICATIONS	
Power type	Compressed air
Chemical pickup type	Draws from pre-mixed solution
Number of products unit can draw from	One product
Suction line length/diameter	3/8 in. (9.5 mm) inside diameter
Capacity	5 gallons (18.9 liters)
Discharge hose diameter/length	20 ft. (6.1 m) hose, with 1/2 in. (12.7 mm) inside diameter
Discharge wand/tip type	10 in. (50.8 cm) poly wand with fan tip and ball valve (Spray tips included: ST1510, ST2508, and ST4008)
Output distance	6-10 ft. (1.8-3 m) (Varies due to viscosity of product)
Output volume	0.5-1 gal/min (1.89-3.79 l/min) (Varies due to viscosity of product and fan tip size)
Flow rate*	2 gal/min (7.6 l/min) (Varies based on spray tip used)
Pump seals	Santoprene, Viton, or Kalrez
Wheel type	Two 3 inch non-marking wheels

*Dilution rates and flow rates given are based on chemical with viscosity of water and factory air pressure settings.

READ ALL INSTRUCTIONS BEFORE OPERATING EQUIPMENT

Operation Instructions

Wearing all PPE and observing all safety precautions dictated by the SDS for your chemical:

1. Fill the tank with the desired gel product.
2. With the discharge ball valve (HV60) in the closed position, connect an appropriate compressed air line into the air inlet fitting (AP25).
3. Open the discharge ball valve (HV60) to begin dispensing gel chemical.

After Use Instructions:

1. Flush the unit with fresh water for 5 minutes.
2. Disconnect the air line from the air fitting (AP25) and relieve any pressure remaining in the system by opening the discharge ball valve (HV60).
3. Close the ball valve (HV60) after all pressure has been relieved from the system. Store the unit with the discharge ball valve (HV60) in the closed position.

Maintenance Instructions:

To keep your portable unit operating properly, periodically perform the following maintenance procedures:

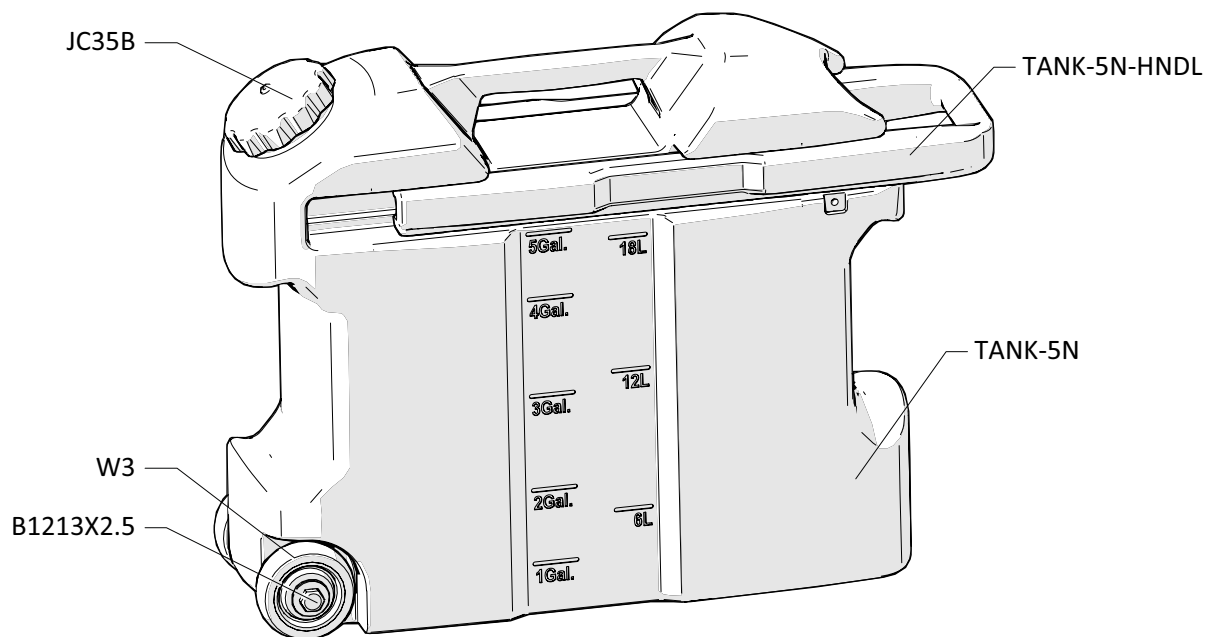
- Check the air pump (P56/P56K/P56V) for wear and leaks.
- Inspect hoses for leaks or excessive wear. Make sure all hose clamps are in good condition and properly secured.
- Replace filter (AFR25) in regulator (R25) as needed.
- Check the suction tube and screen for debris and clean as needed.
- Drain compressor tank on a regular basis to ensure proper operation of pump.

Troubleshooting Instructions:

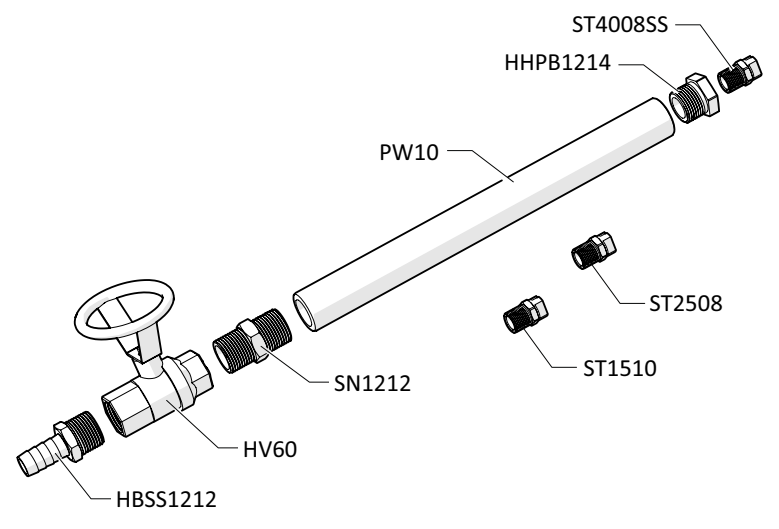
- Check to ensure that the discharge hose is uncoiled properly, and that there are no kinks that could obstruct fluid flow.
- Check the air regulator bowl (ABR25) and air filter (AFR25) for debris such as water, oil, or rust particles. Clean by unthreading the air regulator bowl (ABR25) from the air regulator (R25).
- Check the strainer (STR38-IL) for debris or other blockages, and clean as needed. Replace strainer if damaged. Strainer must be used.
- If air passes through the pump (P56/P56K/P56V) without cycling, the pump needs to be replaced.
- Check for proper air pressure on the air gauge (AG100). The air regulator (R25) is factory set at 50 psi (3.4 bar). Operating range is 40 to 80 PSI (3 to 5 bar) with 2 CFM (56.6 l/min).
- If the unit operates at a reduced pressure:
 - Check the air compressor supplying the unit. If the pressure is less than 40 psi, turn the unit off until the compressor can catch up.
 - If the air supply is 50 psi (3.4 bar) or above, check the air gauge (AG100), which should read near 50 psi (3.4 bar). If the air gauge reads more or less than 50 psi (3.4 bar), adjust the pressure by turning the knob on the top of the air regulator (R25).

READ ALL INSTRUCTIONS BEFORE OPERATING EQUIPMENT

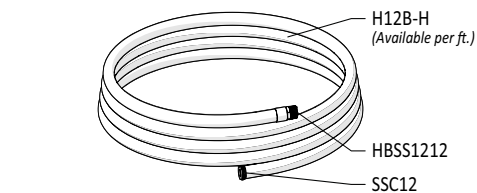
**TANK ASSEMBLY
ITEM NUMBER: TANK-5N-A**



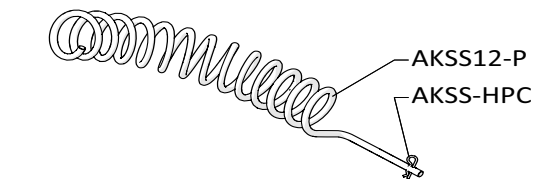
DISCHARGE WAND



**DISCHARGE HOSE ASSEMBLY
ITEM NUMBER: H12-20**

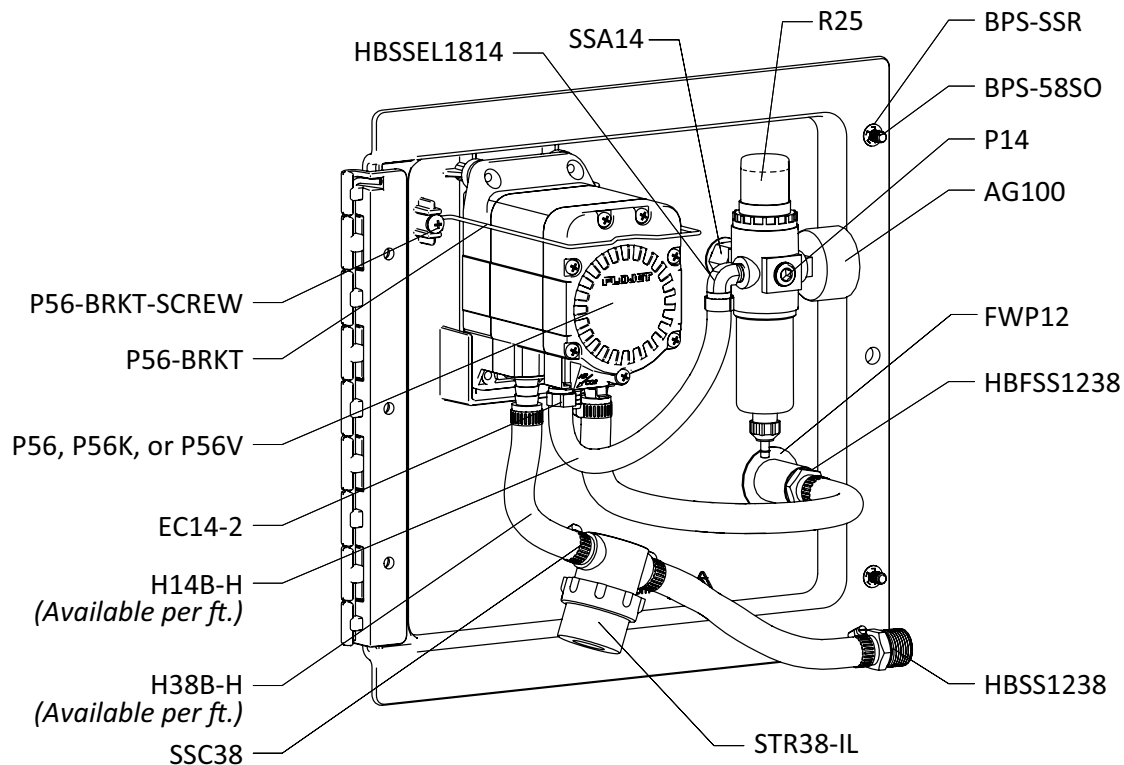


**ANTI-KINK SPRING WITH RETAINING PIN
ITEM NUMBER: AKSS12**

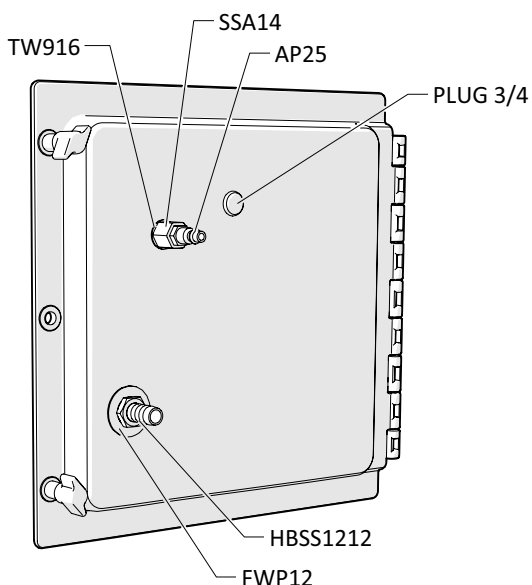


READ ALL INSTRUCTIONS BEFORE OPERATING EQUIPMENT

**BACK PLATE
Inside View**

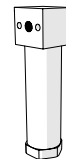


**BACK PLATE
Outside View**

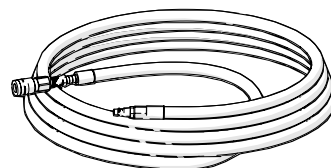


OPTIONAL COMPONENTS

WATER SEPARATOR
ITEM NUMBER: WS-20CFM



AIR HOSE ASSEMBLY
ITEM NUMBER: AH30



READ ALL INSTRUCTIONS BEFORE OPERATING EQUIPMENT

ITEM NUMBER	DESCRIPTION
AG100	1.5 INCH DRY MODEL 20 DUAL SCALE GAUGE
AH30	30 FT AIR HOSE WITH QUICK CONNECT FITTINGS
AKSS12-P	SS ANTI-KINK SPRING FOR 1.2 INCH HOSE
AKSS-HPC	ANTI-KINK STAINLESS STEEL HITCH PIN CLIP
AP25	PLUG 1/4 NPTM AIR FITTING - BRASS
B1213X2.5	1/2-13 X 2.5 HEX CAP SCREW 18-8 PLN
BPS-58SO	Back Panel Screw - 5/8 inch with Stand Off
BPS-SSR	1/4 INCH PUSHNUT BOLT RETAINER STAINLESS STEEL
EC14-2	OETIKER CLAMP 13.8
F12SS	STAINLESS .875 ID FERRULE FOR 1/2 INCH HOSE
FWAX15	FLAT AXLE WASHER
FWP12	7/8 ID X 1.5 OD X 0.05 THK SSFW
H12B-H	1/2 INCH BLUE HOSE - Available per ft.
H14B-H	1/4 INCH BLUE HOSE - Available per ft.
H38B-H	3/8 INCH BLUE HOSE - Available per ft.
HBFS1238	HOSE BARB 3/8 X FEMALE PIPE THREAD 1/2 IN STAINLESS STEEL
HBSS1212	STAINLESS HOSE BARB 1/2 X 1/2
HBSS1238	STAINLESS HOSE BARB 1/2mpt X 3/8 barb Tariff 8479.90.9496
HBSEL1814	304 STAINLESS ELBOW 1/8 INCH NPT X 1/4 INCH HOSE BARB
HHPB1214	HEX HEAD POLY REDUCER BUSHING 1/2in X 1/4in
HV60	1/2in STAINLESS BALL VALVE - w/ WELDED NUT
JC35B	BLACK 3.5 INCH ONE WAY VENTED CAP POLYPROPYLENE WITH GASKET AND CHECK VALVE
JC35B-P	BLACK 3.5 INCH CAP - POLYPROPYLENE
JC35-CV	EPDM CHECK VALVE FOR NON LOCKING JUG CAP
JC-G35	JUG CAP GASKET 3.5 INCH CAP EPDM
P14	COUNTERSUNK PLUG-HEXAGON 1/4
P56	PUMP WITH SANTOPRENE SEALS - INCLUDES HOSE BARBS, AIR FITTING, AND EXHAUST BARB
P56K	5700 PUMP WITH KALREZ SEALS - INCLUDES HOSE BARBS, AIR FITTING, AND AIR PORT
P56V	5700 PUMP WITH VITON SEALS - INCLUDES HOSE BARBS, AIR FITTING, AND AIR PORT
20756103B	Polypro G57 Air Port x HB Straight, w/ Viton o-ring
HB14P	1/4in BRASS HB AIR FITTING /G57/P56
HB5638	HOSE BARB FOR P56 PUMP
HB5638K	HOSE BARB FOR P56K PUMP
HB5638V	HOSE BARB FOR P56V PUMP

ITEM NUMBER	DESCRIPTION
P56-BRKT	PUMP BRACKET- STAINLESS STEEL
P56-BRKT-SCREW	HI LO SCREW FOR RETAINING P56-BRKT
PLPF	PORTABLE FOAMER BACK PLATE W/ HINGE AND HOLES
PLPF-PIN	302 STAINLESS PORTABLE PLATE HINGE PIN
PLUG 3/4	TUBING PLUG 3/4 (FITS 11/16 HOLE)
PW10	3/4in BLACK POLY PRO X 10in - FPTBE - SCH.80
R25	AIR REGULATOR - 1/4fpt TWO PORT 1/8fpt TWO PORT - INCLUDES FILTER AND BOWL
AFR25	AIR FILTER for R25
ABR25	METAL AIR BOWL for R25
S142058-VS	1/4-20 X 5/8 PHIL TRUSS MACHINE SCREW 18-8 W/#516 VIBRASEAL ORANGE PATCH
SN1212	1/2in HEX STAINLESS STEEL NIPPLE
SSA14	SS304 MALE/FEMALE ADAPTOR 1/4 NPT X 1/4 NPT
SSC12	WORM GEAR CLAMP, S/S (.31-.91)
SSC38	WORM GEAR CLAMP, S/S (.25-.63)
SS-TAB	STAINLESS STEEL TAB 5/8 x 3/4 WITH 1/4 INCH MOUNTING HOLE
ST1510	VEEJET NOZZLE, S.S. 1510
ST2508	VEEJET NOZZLE, BRASS 2508
ST4008SS	VEEJET NOZZLE, S.S. 4008
STR38-IL	IN LINE STRAINER 3/8 BARB 20 MESH 304 STAINLESS EDPM GSKT
TANK-5N	5 GALLON ROTO MOLDED TANK WITH HANDLE
TANK-5N-HNDL	HANDLE FOR TANK-5N
TW916	1/2 INT TOOTH L/W 410SS
W3	3 INCH WHEEL
WS-20CFM	TSUNAMI WATER SEPARATOR/AIR DRYER - 20 CFM - 1/4 in. FPT PORTS