

---

**READ ALL INSTRUCTIONS BEFORE OPERATING EQUIPMENT**

User Manual for Models:

---

**GK5T**

| Central Doorway Foam Station |

**READ ALL INSTRUCTIONS BEFORE OPERATING EQUIPMENT**

---

## **READ ALL INSTRUCTIONS BEFORE OPERATING EQUIPMENT**

### **Specifications:**

Tip Assembly .....GK7T (Sold Separately)

Foam output.....30 gallons/minute  
(112 liters/minute)

Foaming pattern... 12 feet wide X 5 feet in length (3.66 meters wide X 1.52 meters long)

### **Requirements:**

Compressed air 40 to 80 PSI (3 to 5 bar) with 3.5 to 8 CFM (99 to 226 l/min)

Chemical requirements: follow all instructions from chemical manufacturer.

Pre-mixed chemical must be supplied by a properly sized header system at 2 GPM and 40 to 80 PSI (3 to 5 bar).

**Acceptable Products:** Quat Sanitizers

**DO NOT USE:** Acid Quat



## **WARNING**

### **Avoid Personal Injury**



1. Always wear protective clothing, gloves, and eye wear while servicing foam unit.



2. Avoid contact of cleaning agent with skin and eyes. If contact occurs, see MSDS sheet for further first aid measures.



3. Follow safety instructions of chemical manufacturer (MSDS).



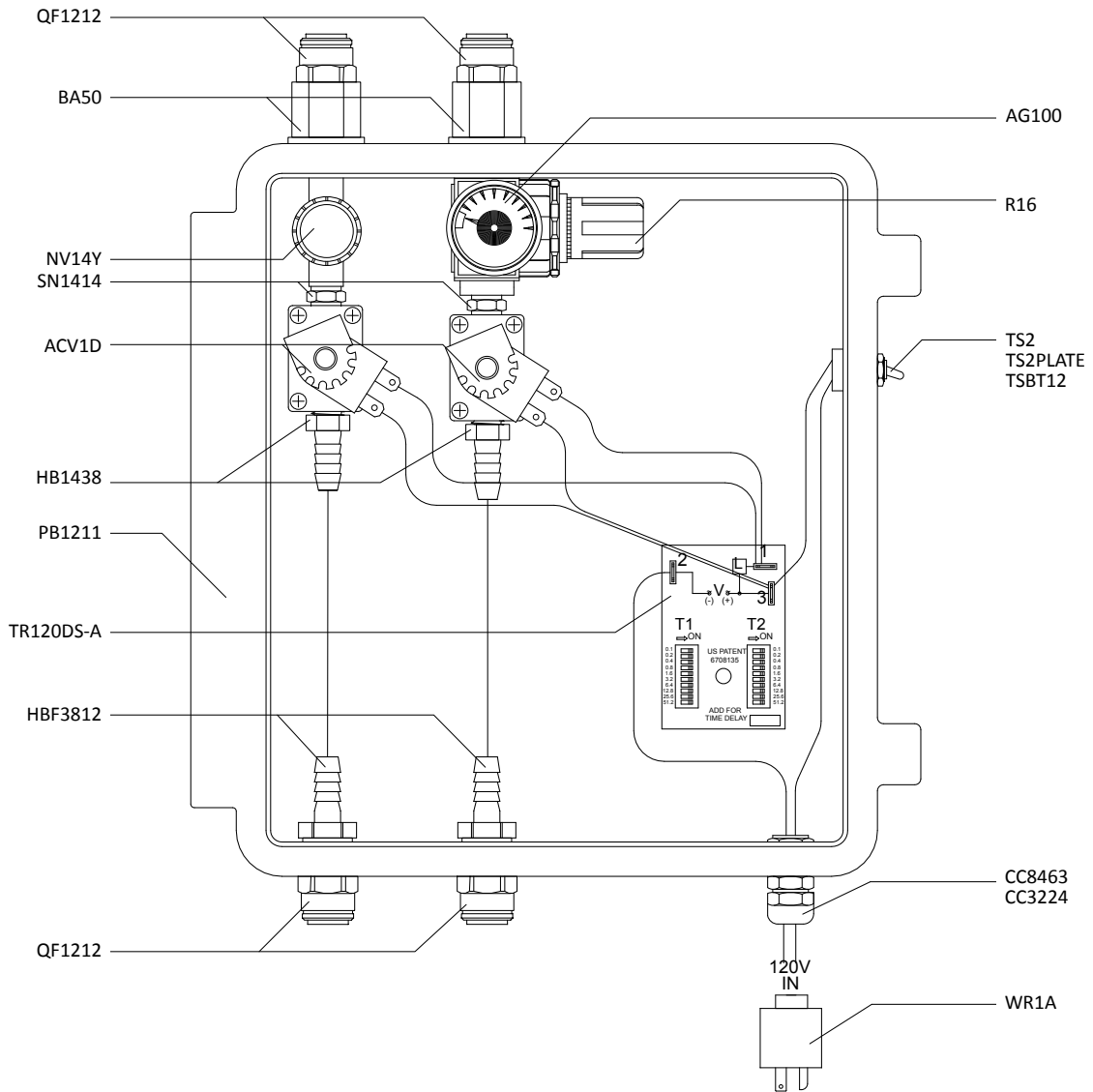
## **CAUTION**

### **Avoid Equipment Damage**

1. Only use clean and dry air. Air must be filtered and free of moisture. If needed, install air dryer before unit.
2. Do not use air lubricator before the unit.
3. Do not exceed a fluid temperature of 110°F (43°C).

READ ALL INSTRUCTIONS BEFORE OPERATING EQUIPMENT

Inside View - Control Box



**READ ALL INSTRUCTIONS BEFORE OPERATING EQUIPMENT**

**Parts List**

<b>ITEM NUMBER</b>	<b>DESCRIPTION</b>
ACV1D	SOLENOID VALVE, 120V N/C - 1/4 inFPT
AG100	1.5in DRY MODEL 20 DUAL SCALE GAUGE
AS1-P	1/4-20 X 1/2in SCREW WITH PATCH
B10321	10-32 X 1 PHIL TRUSS MACH SCR 18-8
BA1214	MALE/FEMALE ADAPTER 1/2 FPT X 1/4 MPT
BH142015	BUTTON HEAD SOCKET CAP - 1/4 - 20 x 1.5 STAINLESS STEEL
BKSS	BOX KEEPER STAINLESS STEEL
BLSS	Stainless Steel Latch
CC3224	LTC BLACK 1/2 NPT
CC8463	1/2in NPT BLACK LOCKNUT
FWLG14	.569 ID X 1.28 OD X .08 THICK FLAT WASHER SS 18-8
HB1438	1/4in MPT X 3/8in HOSE BARB (PLASTIC)
HBF3812	HOSE BARB 3/8 X FEMALE PIPE THREAD 1/2 IN
NV14Y	FLOW CONTROL VALVE
P18	POLY PLUG 1/8 MPT HEX HEAD
PB1211	GRAY POLY BOX 12 X 11 X 6
PB1211-GSKT	3/32 INCH THICK GSKT WITH PSA
PBFT-SS	POLY BOX SS FOOT
PL1211	12X11 INCH POLYETHYLENE LID
QF1212	MALE CON. 1/2in TUBE X 1/2in MPT
QFSOV12	SHUT OFF VALVE 1/2in TUBE
QFT12	UNION TEE 1/2in TUBE
R16	PB21649-N500 W/6 BAR SPRING
RIVSS-18-4	1/8 Stainless Rivet/Stainless Mandrel - Length .400 - Grip Range (.188 - .250)
SN1414	STAINLESS 1/4" MPT X 1/4" MPT NIPPLE
TR120DS-A	REPEAT CYCLE TIMER - ADJUSTABLE DIGI-SET - 120 VAC
TS2	TOGGLE SWITCH SPST
TS2PLATE	ON/OFF SWITCH PLATE
TSBT12	TOGGLE SWITCH BOOT
WCB14F	14-16 - 1/4 FEM INSULATED CONNECTOR
WCB14FY	10-12 - 1/4in FEMALE INSULATED CONNECTOR
WMS14	14 X 1 1/4 HEX W/H SMS SLOTT, S/S
WMS14A	5/16 X 1 1/2 STRAIGHT PLASTIC ANCHOR
WR1A	18/3 SJOOW 90 BLACK N.A. W/ 5-15P & 7in ROJ

## READ ALL INSTRUCTIONS BEFORE OPERATING EQUIPMENT

### Safety Instructions:

1. Always wear safety goggles and protective gloves while servicing foam unit.
2. Avoid contact of cleaning agent with skin and eyes.
3. If contact occurs, see MSDS sheet for further first aid measures.

### Installation Instructions:

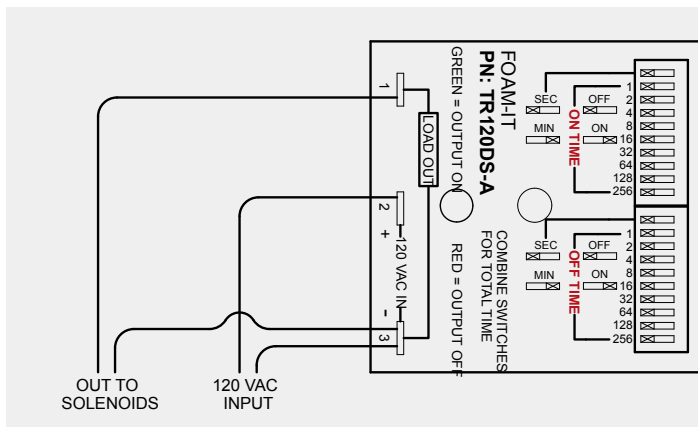
1. Remove all parts from the shipping box.
2. Mount control box to vertical surface with the screws and anchors provided.
3. Mount the GK7T nozzle assembly at the doorway being foamed with the two stainless steel mounting brackets that are included. It is important to mount GK7T 4 to 6 inches off the floor to ensure proper foam coverage.
4. After the control box and nozzle assemble is mounted, run 1/2 inch tubing from the solution discharge to the elbow fitting of the GK7T or the foam quality will be reduced. Then run the 1/2 inch quick tubing from the air output of the control box to the GK7T.
5. Connect compressed air to the control box.
6. Make sure the toggle switch is in the "OFF" position and plug the unit into a GFCI protected 110VAC outlet.
7. Set the timer (see TIMER ADJUSTMENT INSTRUCTIONS)
8. Connect the control box to the header supply line from the chemical room. Use the 1/2 inch NPT fittings provided. Make sure shut off valve are in between the header supply line and the control box. This will ensure the ability to deactivate the control box if it needs to be serviced.

### Operation Instructions:

1. Turn the toggle switch on.
2. Open the needle valve all the way on the fluid side of the control box. Reduce the air pressure to 10 psi or less. As unit is running slowly increase air pressure until desired foam quality is achieved.
3. If foam volume is too high, turn fluid needle valve until desired flow of foam is achieved.
4. Turn the toggle switch on or off to activate or deactivate the system.

### Troubleshooting Instructions:

1. If the foam sputters out of the spray tip, first, try to adjust the needle valve and the air regulator to create better foam. Second, more chemical may need to be added to thicken the foam.
2. If only liquid or only air comes out the spray tip, first, adjust the needle valve and the air regulator to make sure one of them is not closed, second, make sure the wiring is all connected, or third, one of the solenoids may need to be replaced. If the liquid still will not come out, check to make sure there is liquid in the tank for the pump, and be sure the pump is running. If the pump is not running, it may need to be replaced.



### TIMER ADJUSTMENT INSTRUCTIONS:

1. The TR120DS-A is an adjustable repeat cycle timer with the "ON" time operating first. ON and OFF times can range from 1 second to 511 minutes.
2. Starting with the ON time, move the top dip switch to the left for SEC (seconds) or to the right for MIN (minutes) to set the desired time interval.
3. The next 9 dip switches will be used to control the total active time. To the left is inactive and to the right is active. Combine the numbers next to the active dip switches to achieve the desired time.
4. Repeat the above steps for the OFF time setting.