
USER MANUAL

**2.5 and 5 Gallon Chemical
Transport Jug**

English

READ ALL INSTRUCTIONS BEFORE OPERATING EQUIPMENT

WARNING



Read this manual completely and understand the unit before operating or servicing it.

- Always wear appropriate personal protective equipment (PPE) when operating or servicing unit.
- Always follow all chemical safety precautions and handling instructions provided by the chemical manufacturer and Safety Data Sheet (SDS).
- Always flush the unit with fresh water for 5 minutes when switching from an alkaline to an acid or an acid to an alkaline.
- Do not exceed a fluid temperature of 100°F (37°C).
- Never use unit with hydrocarbons or flammable products.
- **DO NOT USE ACIDS WITH LOCKING CAP.**

PROTECT THE ENVIRONMENT

Please dispose of packaging materials, old machine components, and hazardous fluids in an environmentally safe way according to local waste disposal regulations.



Always remember to recycle.

*Specifications and parts are subject to change without notice.

READ ALL INSTRUCTIONS BEFORE OPERATING EQUIPMENT

OPTIONS -							
	Capacity	Cap Color	Cap Type	Suction Fitting	Rack		Tank Color
J	2.5 gallons (2.5)	Black (BK)	Non-locking (standard)	Not included (standard)	Not included (standard)	-	Natural (standard)
	5 gallons (5)	Blue (BL)	Locking (L) <small>(only available in black)</small>	Included (S)	Included (R)		Blue (BL)
		Green (GN)					Brown (BNT)
		Red (RD)					Green (GN)
		Yellow (YL)					Purple (PLT)
							Red (RD)
						Yellow (YL)	

Add bold option codes to item number as shown. For standard options, no option code is needed.

Examples:

- J2.5BK (standard 2.5 gallon jug with non-locking cap)
- J5BKL (5 gallon jug with locking cap)
- J5BKSR (5 gallon jug with non-locking cap, suction fitting, and rack)
- J2.5BL (2.5 gallon jug with non-locking blue cap)
- J2.5BK-GN (2.5 gallon green jug with non-locking cap)

REQUIREMENTS

Liquid temperature range	40-100°F (4.4-37°C)
Chemical compatibility	Chemical products used with this equipment must be formulated for this type of application and compatible with unit materials and pump seals. For more information on chemical compatibility, consult the manufacturer or SDS for your product or contact our customer service department.

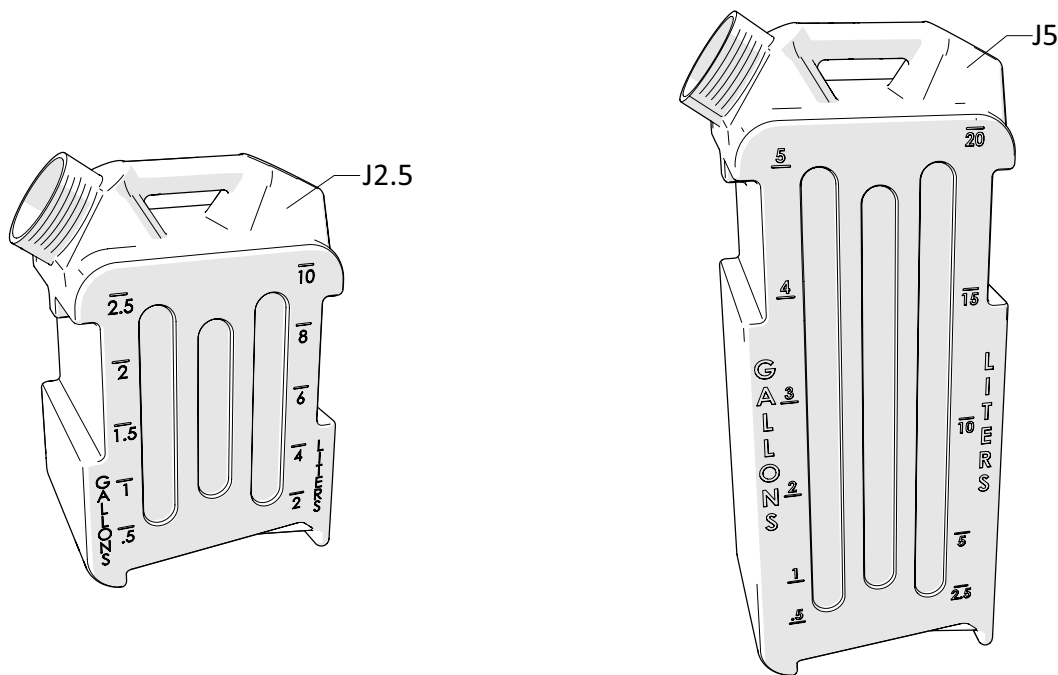
SPECIFICATIONS

	2.5 GALLON JUG	5 GALLON JUG
Capacity	2.5 gallons (9.46 liters)	5 gallons (18.93 liters)
Tubing/fittings sizes	Jugs with suction fitting option include fittings for 1/4 in. (6.4 mm) inside diameter hose	

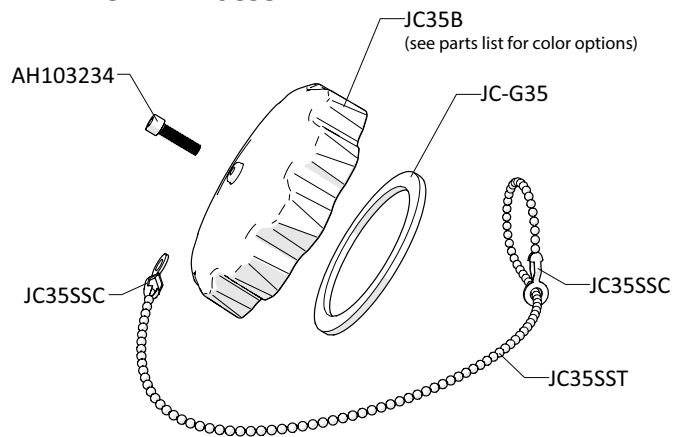
READ ALL INSTRUCTIONS BEFORE OPERATING EQUIPMENT

PARTS DIAGRAMS

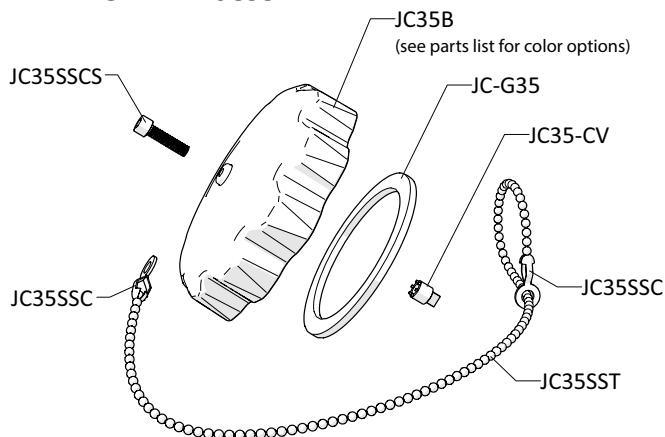
JUG BODY



NON-LOCKING CAP FOR JUGS WITHOUT SUCTION FITTINGS ITEM NUMBER: JC35B-TA



NON-LOCKING ONE-WAY VENTED CAP FOR JUGS WITH SUCTION FITTINGS ITEM NUMBER: JC35B-TAV

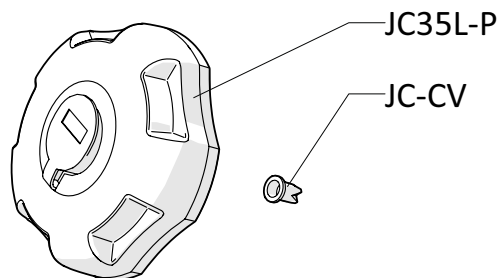


READ ALL INSTRUCTIONS BEFORE OPERATING EQUIPMENT

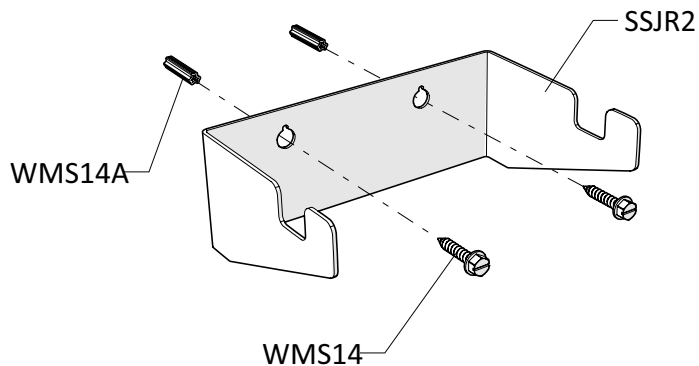
PARTS DIAGRAMS (CONTINUED)

LOCKING ONE-WAY VENTED CAP ITEM NUMBER: JC35L

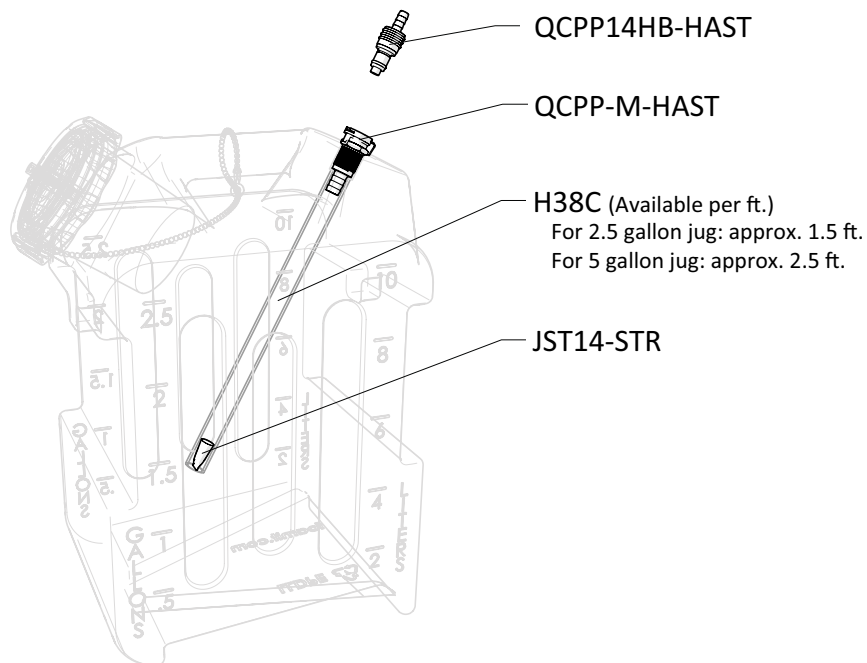
****NOT COMPATIBLE WITH ACIDS!****



STAINLESS STEEL JUG RACK ITEM NUMBER: SSJR2



SUCTION FITTINGS AND DRAW TUBE



READ ALL INSTRUCTIONS BEFORE OPERATING EQUIPMENT

ITEM NUMBER	DESCRIPTION
AH103234	10-32 X 3/4 SOC CAP SCR 18-8 PLN
H38C	3/8in CLEAR PVC TUBING - Available per ft.
J2.5	2.5 GALLON POLYETHYLENE JUG
J5	5 GALLON POLYETHYLENE JUG
JC35B	BLACK 3.5 INCH ONE WAY VENTED CAP ASSEMBLY - INCLUDES CAP, GASKET, AND CHECK VALVE
<i>JC35B-P</i>	BLACK 3.5 INCH CAP - POLYPROPYLENE
<i>JC35-CV</i>	EPDM CHECK VALVE FOR NON LOCKING JUG CAP
<i>JC-G35</i>	JUG CAP GASKET 3.5 INCH CAP VITON
JC35BL	BLUE 3.5 INCH ONE WAY VENTED CAP ASSEMBLY - INCLUDES CAP, GASKET, AND CHECK VALVE
JC35GN	GREEN 3.5 INCH ONE WAY VENTED CAP ASSEMBLY - INCLUDES CAP, GASKET, AND CHECK VALVE
JC35L	3.5 INCH NYLON ONE WAY VENTED CAP ASSEMBLY - INCLUDES CAP WITH LOCK AND CHECK VALVE
<i>JC35L-P</i>	3.5 INCH NYLON CAP WITH LOCK
<i>JC-CV</i>	JUG CAP CHECK VALVE-SILICONE
JC35RD	RED 3.5 INCH ONE WAY VENTED CAP ASSEMBLY - INCLUDES CAP, GASKET, AND CHECK VALVE
JC35YL	YELLOW 3.5 INCH ONE WAY VENTED CAP ASSEMBLY - INCLUDES CAP, GASKET, AND CHECK VALVE
JC35SSC	304 SS END COUPLING FOR SIZE 8-10, ROUND BEAD CHAIN
JC35SSCS	VENTED 18-8 SS SOCKET HEAD CAP SCREW, 10-32 THREAD, 3/4 INCH LENGTH .046 VENT DIAMETER
JC35SST	ROUND BEAD CHAIN, TYPE 304 SS
JST14-STR	DRAW TUBE STRAINER - SS 304 50.009 3/8in ID X 1in w/ BAGFOLD
QCPP14HB-HAST	1/4IN IN-LINE HOSE BARB - POLYPRO BODY - HASTELLOY SPRING
QCPP-M-HAST	3/8IN PANEL MOUNT SOCKET - SUCTION 3/8 ID X QUICK CONNECT
SSC38	WORM GEAR CLAMP, S/S (.25-.63)
SSJR2	SS RACK TO MOUNT CHEMICAL TRANSPORT JUG
WMS14	14 X 1 1/4 HEX W/H SMS SLOTT, S/S