

---

**READ ALL INSTRUCTIONS BEFORE OPERATING EQUIPMENT**

User Manual for Models:

---

**JS1**

| Air Operated Acid and  
Neutralizer Foam Unit |

**READ ALL INSTRUCTIONS BEFORE OPERATING EQUIPMENT**

---

**READ ALL INSTRUCTIONS BEFORE OPERATING EQUIPMENT**

**Specifications:**

Hose .....50 feet reinforced hose, 3/4 inch I.D  
(15 meters reinforced hose, 3/4 inch I.D.)  
  
Foam output.....20 to 45 gallons/minute  
(75 to 170 liters/minute)  
  
Foam output distance... 25 to 30 feet (7 to 9 meters)

**Air Operated Double Diaphragm Pump Options:**

P56.....Flojet polypropylene body with Santoprene diaphragm  
  
P56V..... Flojet polypropylene body with Viton diaphragm  
  
P56K..... Flojet polypropylene body with Kalrez diaphragm

**Requirements:**

Compressed air 40 to 80 PSI (3 to 5 bar) with 5 to 10 CFM (141.64 to 283.28 l/min)  
  
Chemical requirements: follow all instructions from chemical manufacturer.




**Acceptable Products:** Alkaline cleaners, Caustic cleaners, Sanitizers, and Acids.

- \* D-Limonene and peracetic acid may only be used with Kalrez pump
- \* Chlorine may only be used with Viton or Kalrez pump

**DO NOT USE: All hydrocarbons**

 **WARNING**

**Avoid Personal Injury**

-  1. Always wear protective clothing, gloves, and eye wear while operating unit.
-  2. Avoid contact of cleaning agent with skin and eyes. If contact occurs, see SDS sheet for further first aid measures.
-  3. Follow safety instructions of chemical manufacturer (SDS).
- 4. After each use, relieve all remaining pressure in the system by unplugging the air line from the unit and opening the discharge ball valve to prevent accidental discharge.
- 5. After relieving the pressure from the unit, store the unit with the ball valve in the closed position.
- 6. Never point the discharge wand at anyone.

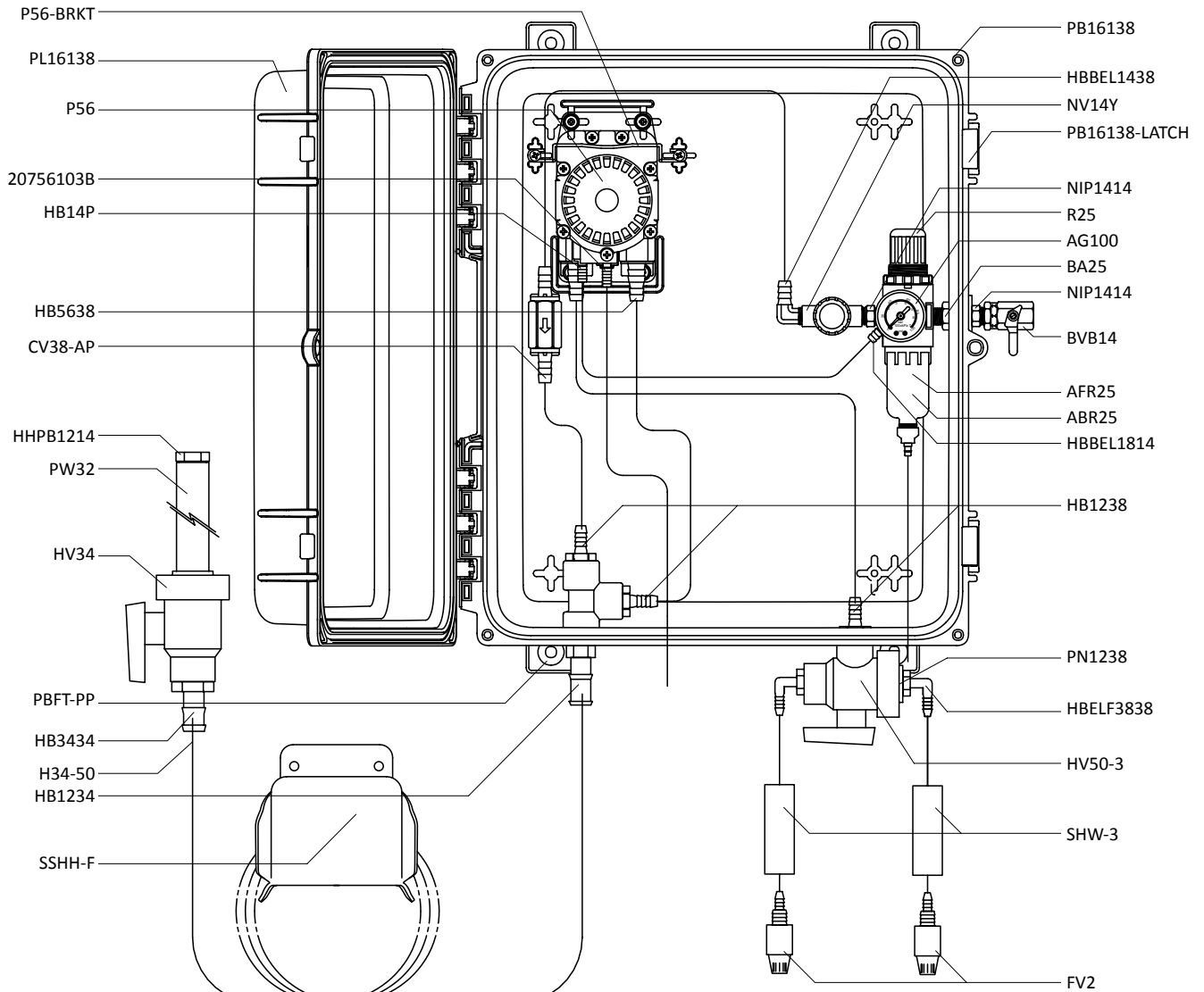
 **CAUTION**

**Avoid Equipment Damage**

- 1. Only use clean and dry air. Air must be filtered and free of moisture or pump life will be diminished. If needed, install air dryer before unit.
- 2. Do not use air lubricator before the unit.
- 3. Be sure to flush the unit with fresh water for 5 minutes when switching from an alkaline to an acid or an acid to an alkaline.
- 4. Do not exceed a fluid temperature of 110°F (43°C).

READ ALL INSTRUCTIONS BEFORE OPERATING EQUIPMENT

Inside View - Control Box



**READ ALL INSTRUCTIONS BEFORE OPERATING EQUIPMENT**

**Parts List**

ITEM NUMBER	DESCRIPTION
20756103B	Polypro G57 Air Port x HB Straight, w/ Viton o-ring
ABR25	METAL AIR BOWL for R25
AFR25	AIR FILTER for R25
AG100	1.5in DRY MODEL 20 DUAL SCALE GAUGE
BA25	MALE/FEMALE ADAPTER 1/4 X 1/4
BVB14	AIR INLET VALVE - VA BRS 025-4F4F-BT, NICKEL
CV38-AP	WHITE PVC CHECK VALVE 3/8 BARBS - HASTELLOY SPRING - TEFLON BALL
EC14-2	OETIKER CLAMP 13.8
FV2	FOOT VALVE, VITON, BLUE
FWLG14	.569 ID X 1.28 OD X .08 THICK FLAT WASHER SS 18-8
H14B	1/4in BLUE GENERAL SERVICE HOSE
H34-50	50ft OF 3/4in REPLACEMENT HOSE
H34B	3/4in BLUE GENERAL SERVICE HOSE
H38B	3/8in BLUE GENERAL SERVICE HOSE
HB1234	1/2in MPT X 3/4in HOSE BARB
HB1238	1/2in MPT X 3/8in HOSE BARB
HB14P	1/4in BRASS HB AIR FITTING /G57/P56
HB3434	POLY HOSE BARB 3/4in X 3/4in
HB5638	HOSE BARB FOR P56 PUMP
HBBEL1438	3/8 BRASS HOSE BARB X 1/4 PIPE ELB
HBBEL1814	1/8 MPT X 1/4 HOSE BARB BRASS 90DEG
HBEL1238	HOSE BARB ELBOW 1/2 X 3/8
HHPB1214	HEX HEAD POLY REDUCER BUSHING 1/2in X 1/4in
HONEYCOMB	PCTV1212.75 Hexacomb Panel
HV34	3/4in POLY BALL VALVE
HV50-3	3-WAY POLY BALL VALVE 1/2in Seals are
HV50-3-BRKT	SS BRACKET FOR HV50-3
NIP1414	1/4 BRASS NIPPLE
NV14Y	FLOW CONTROL VALVE
P56	5700 SANTO PUMP
P56-BRKT	PUMP BRACKET- STAINLESS STEEL
P56-BRKT-SCREW	HI LO SCREW FOR RETAINING P56-BRKT
PB16138	POLYPROPYLENE CONTROL BOX - WORKING DIMS 16x13x8 - PUMP MOUNT
PB16138-GSKT	NEOPRENE GASKET 0.220 INCH ROUND CORD STOCK - 61.125 INCHES
PB16138-LATCH	LATCH FOR PB16138
PB16138-PIN	STAINLESS STEEL HINGE PIN FOR CONTROL BOX PB16138 - 1/8 x 4 3/4 x 1/2inches

PBFT-PP	MOUNTING FEET FOR POLYBOX - PB16138 - POLYPROPYLENE
PL16138	CONTROL BOX LID - POLYPROPYLENE - 16x13x8 - HINGED LOCKABLE LID
PW32	3/4in BLACK POLY PRO X 32in - FPTOE & MPTOE - SCH.80
R25	AIR REGULATOR - SILVER COLOR - 1/4ft TWO PORT 1/8ft TWO PORT
R25DT	CLEAR TUBING FOR R25 DRAIN
S1034FHL	10 X 3/4 PHIL FLAT HI-LO THRD SCREW 18-8
SHW3	3in LONG COATED WEIGHT
SSC34	WORM GEAR CLAMP, S/S (.75-1.25)
SSC38	WORM GEAR CLAMP, S/S (.25-.63)
SSC38	WORM GEAR CLAMP, S/S (.25-.63)
SSHH-F	S.S. LASER CUT HOSE HANGER - FLAT STOCK
T5	1/2 POLY TEE
WMS14	14 X 1 1/4 HEX W/H SMS SLOTT, S/S
WMS14A	5/16 X 1 1/2 STRAIGHT PLASTIC ANCHOR

## **READ ALL INSTRUCTIONS BEFORE OPERATING EQUIPMENT**

### **Safety Instructions:**

1. Always wear safety goggles and protective gloves while operating foam unit.
2. Avoid contact of cleaning agent with skin and eyes.
3. If contact occurs, see SDS sheet for further first aid measures.
4. After use, relieve all remaining pressure in the system by unplugging the air line from the unit and opening the ball valve (HV34) until all pressure is released.
5. Never point the discharge wand at anyone.
6. Be sure to flush the unit with fresh water for 5 minutes when switching from an alkaline to an acid or an acid to an alkaline.

### **Installation Instructions:**

1. Read all instructions before installing the foam unit.
2. Remove all parts from box.
3. Select desired area to mount the control box. We recommend that the control box is mounted 6 feet or less from the floor.
4. Mount the control box using the screws provided. Note: When drilling holes for the plastic anchors provided with the screws, use a 5/16 inch drill bit.
5. Mount the SSHH-F in a convenient location using the screws and anchors provided.
6. Attach the discharge hose (H34-50) to the hose barb (HB1234) securing it with a hose clamp.
7. Attach a 3/8inch I.D. air line from your air compressor to the hose barb on the outside of the control box.

### **Operation Instructions:**

1. Follow all instructions from chemical manufacturer. Fill the drums with pre-mixed solution.
2. With the ball valve (HV34) in the closed position, slowly open air inlet valve (BVB14).
3. Slowly open ball valve(HV34).
4. Adjust the needle valve (NV14Y) to desired wetness or dryness of foam following the steps below:
  - a. Close needle valve (NV14Y) completely in clockwise direction.
  - b. Open needle valve (NV14Y) in counter-clockwise direction 3 complete turns.
  - c. Continue to open needle valve in ¼ turn increments allowing 30 seconds between adjustments until proper consistency of foam is achieved.

### **After Use Instructions:**

1. It is recommended to run a gallon of fresh water through the unit after each use. With the ball valve (HV34) open, run the unit until the gallon of water has gone through the unit and discharged out the discharge hose.
2. Close air inlet valve (BVB14) and relieve any remaining pressure in the system by having the ball valve (HV34) in open position.
3. Close the ball valve (HV34) when all the pressure is relieved from the system.

### **Maintenance:**

To keep your foam unit operating properly, periodically perform the following maintenance procedures:

1. Check the air pump for wear and leaks.
2. Replace filter in regulator as needed.
3. Check the suction tube and screen for debris and clean as needed.
4. Drain compressor tank on a regular basis to ensure proper operation of pump.

## **READ ALL INSTRUCTIONS BEFORE OPERATING EQUIPMENT**

### **Troubleshooting Instructions:**

1. Check for proper air pressure on air gauge (AG100). The recommended air pressure is 50 to 60 psi (3.45 to 4.14 bar). The maximum air pressure is 90 psi (6.21 bar).
2. Check metal air bowl (ABR25) for debris such as water, oil, or rust particles. Clean by unthreading the air bowl (ABR25) from the air regulator (R25).
3. Check for plugged strainer (FV2). Replace strainer (FV2) if necessary. Strainer (FV2) must be used.
4. If the needle valve (NV14Y) is open too far the pump (P56/P56K/P56V) will cycle improperly due to lack of air pressure, if this occurs, reset needle valve (NV14Y) as described in operation instruction #4.
5. Make sure proper foaming chemical and concentration is being used.
6. If air passes through the pump (P56) without cycling, replace the pump (P56).
7. If foam solution backs up into the air bowl (ABR25), the check valve (CV38-AP) needs to be replaced.
8. If foam comes out wet, no matter where the needle valve (NV14Y) is positioned, the check valve (CV38-AP) may need to be replaced.
9. If the unit foams at a reduced pressure:
  - a. Check the air compressor supplying the unit. If the pressure is less than 40 PSI, turn the foam unit off until the compressor can catch up.
  - b. Check the air gauge (AG100), to ensure the air supply is 60 psi (4.14 bar) or above. If the air gauge (AG100) is more or less than 60 psi (4.14 bar), adjust the pressure by turning the knob on the top of the air regulator (R25). The maximum air pressure is 90 psi (6.21 bar).
  - c. If both, a and b, are okay, the stainless steel mixing mesh could be plugged. Remove and clean it by following the instructions below:
    - i. Be sure the foam unit is not plugged into an air supply and be sure to relieve all stored pressure in the unit by having the ball valve (HV34) in the open position.
    - ii. Remove the hose barb (HB1234) from the tee (T5).
    - iii. Remove the screen and the mixing mesh from inside the tee (T5).
    - iv. Clean any particles from the mixing mesh and the screen.
    - v. Replace the mixing mesh and then the screen into the back of the tee and screw the hose barb back into the tee. It is recommended to use a pipe thread sealant when reinstalling the hose barb (HB1234) into the tee (T5). If the mixing mesh has a lot of foreign particles in it, make sure the strainer (FV2) is still in place.