

SPRAY-iT

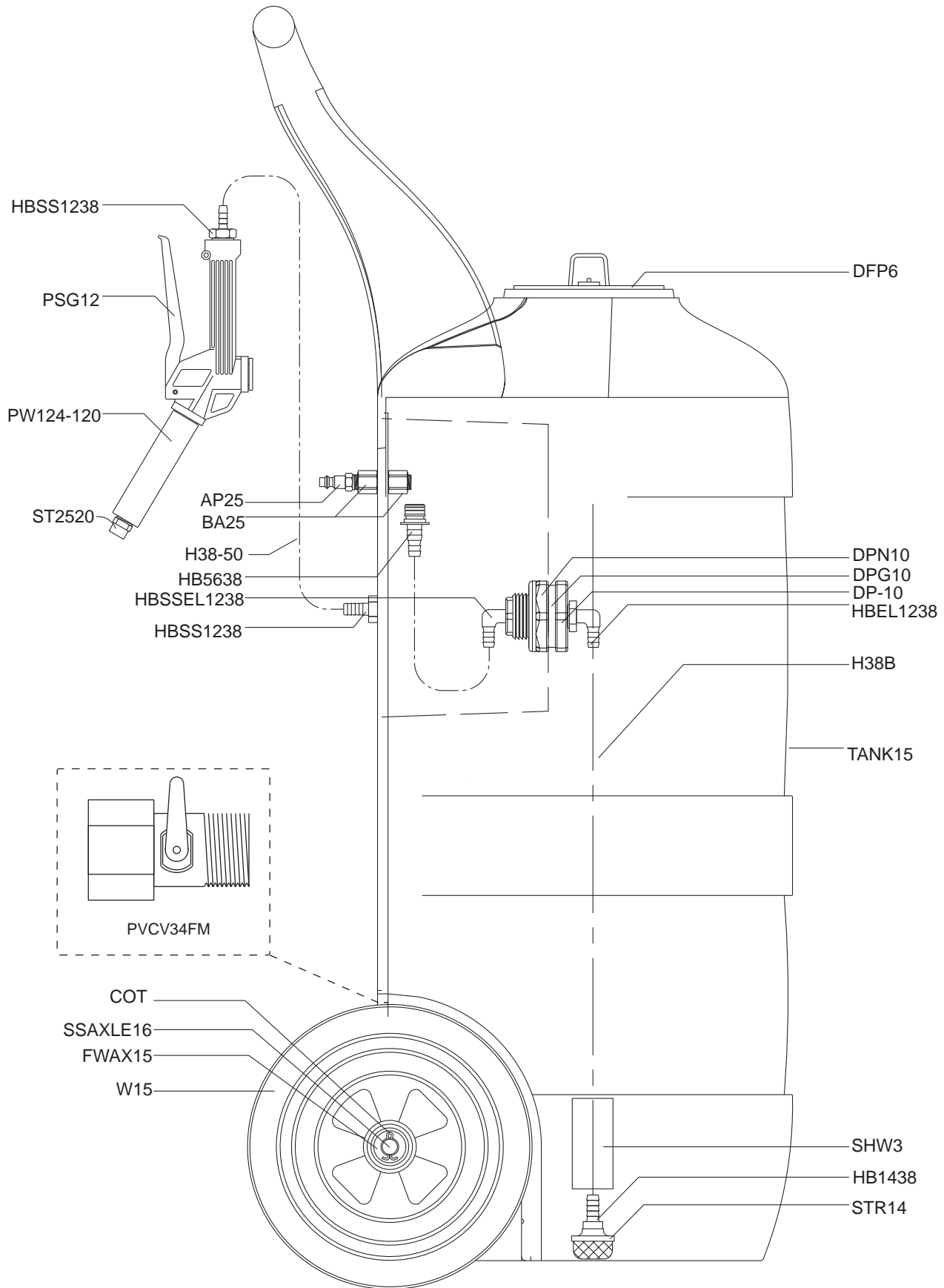
SI-15 RM

15 GALLON PORTABLE SPRAYER



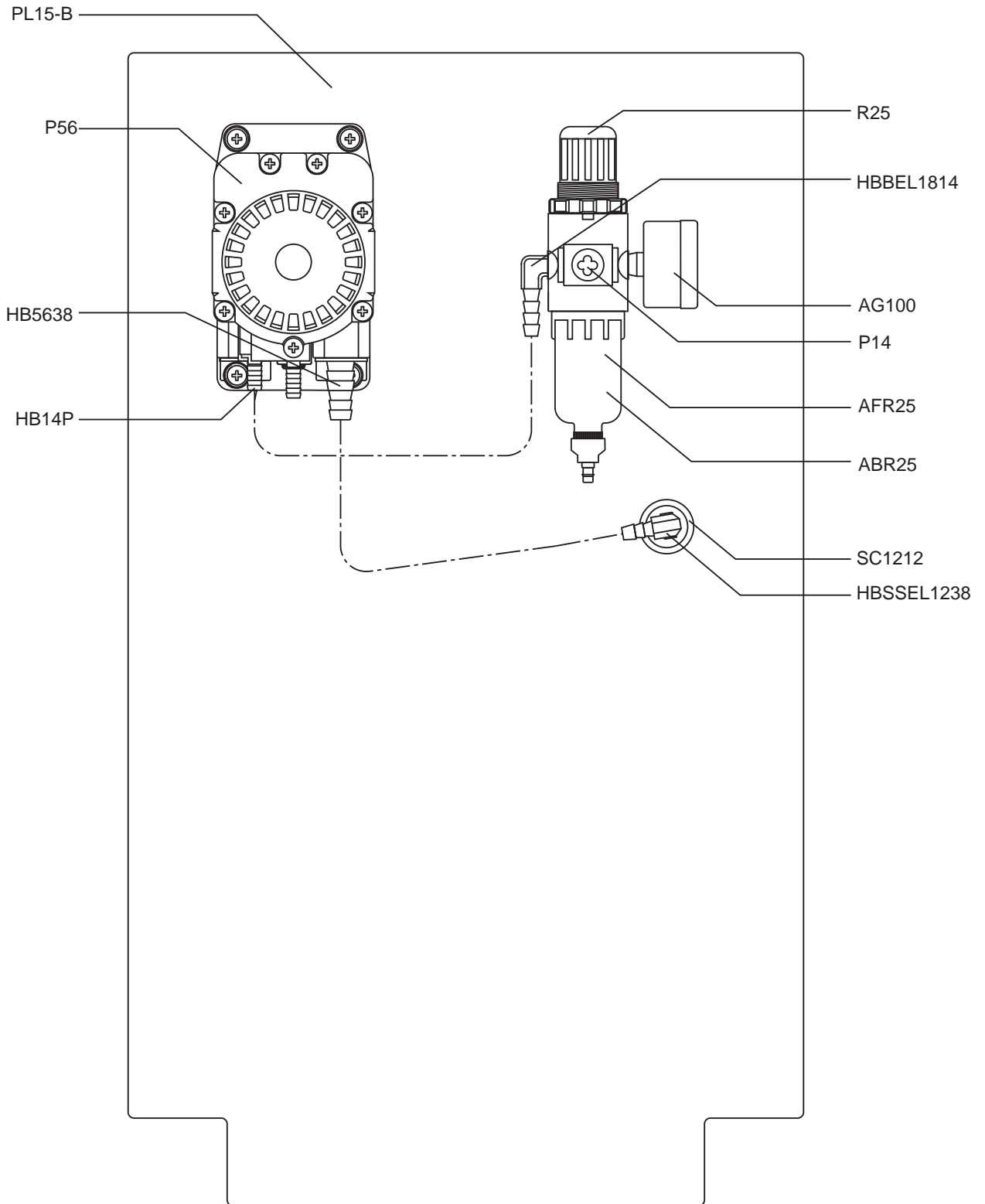
OWNER'S MANUAL

SI-15 RM



SIDE VIEW

SI-15 RM



FRONT VIEW - CONTROL BOX
COVER REMOVED

SI-15 RM

PARTS LIST

PART NO.	DESCRIPTION
AFR25	AIR FILTER FOR REGULATOR
ABR25	AIR BOWL FOR REGULATOR
AG100	1.5in DRY MODEL 20 DUAL SCALE GAUGE
AP25	PLUG 1/4 NPTM AIR FITTING - BRASS
BA25	MALE/FEMALE ADAPTER 1/4 X 1/4
COT	1/8 X 1 COTTER PIN 18-8 S/S
DFP6	6 INCH THREADED CAP FOR 10 GALLON UNIT
DP-10	BULKHEAD BODY 1/2 FPT
DPG-10	BULKHEAD GASKET
DPN-10	BULKHEAD RETAINING NUT
H38-50	3/8in BLUE GENERAL SERVICE HOSE 50FT
HB1438	1/4in MPT X 3/8in HOSE BARB (PLASTIC)
HBBEL1814	1/8 MPT X 1/4 HOSE BARB BRASS 90DEG
HBEL1238	HOSE BARB ELBOW 1/2 X 3/8
HBSS1238	STAINLESS HOSE BARB 1/2 X 3/8
HBSEL1238	304 S.S. 1/2in MPT BY 3/8in H.B. ELBOW
P14	COUNTERSUNK PLUG-HEXAGON 1/4
P56	5700 SANTO PUMP
PL15-B	PLATE FOR 15 GAL TANK BLANK
PSG12	1/2in POLY SPRAY GUN W/ GRAY HNDL. & 316SS
PVCV34FM	PVC VALVE 3/4in FPT X 3/4in MPT
PW124-120	1/2in BLACK POLY PRO X 4in - SCH.120 - 1/2in MPTOE & 1/4in FPTOE
R25	AIR REGULATOR - SILVER COLOR - 1/4fpt TWO PORT 1/8fpt TWO PORT
SC1212	S.S. COUPLER 1/2in BY 1/2in
SHW3	3in LONG COATED WEIGHT
SSAXLE16	S.S. AXLE 16in X 5/8in
SSP10	STAINLESS STEEL AXLE PLATE 3in X 2in 16G 304 SS
ST2520	VEEJET NOZZLE, BRASS 2520
STR14	40 MESH SUCTION LINE STRAINER
TANK 15	15 GALLON ROTOMOLDED TANK
W15	15 GALLON UNIT WHEEL
WN12W	WASHER FOR COUPLING (WN12)

SI-15 RM

SAFETY INSTRUCTIONS

1. ALWAYS WEAR SAFETY GOGGLES AND PROTECTIVE GLOVES WHILE OPERATING FOAM UNIT.
2. AVOID CONTACT OF CLEANING AGENT WITH SKIN AND EYES. IF CONTACT OCCURS RINSE AFFECTED AREA WITH WATER FOR 15 MINUTES AND GET MEDICAL ATTENTION IF NEEDED.
3. AFTER USE, RELIEVE ALL REMAINING PRESSURE IN THE SYSTEM BY UNPLUGGING THE AIR LINE FROM THE UNIT (ITEM# 23) AND OPENING THE DISCHARGE BALL VALVE (ITEM# 5).
4. NEVER POINT THE DISCHARGE WAND AT ANYONE.

SET-UP INSTRUCTIONS

1. REMOVE ALL PARTS FROM SHIPPING BOX.
2. CLIP THE CABLE TIE HOLDING THE COTTER PINS (ITEM# 6) AND AXLE WASHERS (ITEM# 7) FROM THE LEG OF THE CART.
3. PLACE ONE OF THE WASHERS (ITEM# 9) ON ONE OF THE AXLES, THEN SLIP A WHEEL (ITEM# 11) ON THE AXLE FOLLOWED BY A SECOND WASHER. THEN INSERT A COTTER PIN (ITEM# 8) INTO THE HOLE IN THE AXLE AND BEND THE COTTER PIN TO KEEP IT FROM FALLING OUT. REPEAT THIS FOR THE OTHER SIDE.

OPERATION INSTRUCTIONS

1. FILL THE DRUM WITH DESIRED COMBINATION OF CHEMICAL AND WATER.
2. PLUG AN AIR LINE INTO THE AIR INLET FITTING (ITEM# 23)
3. HOLD THE DISCHARGE WAND SECURELY IN HAND AND SPRAY DESIRED AREA.

WARNING: NEVER POINT THE DISCHARGE WAND AT ANYONE.

4. RELIEVE PRESSURE FROM DISCHARGE HOSE AFTER USE.

ACCEPTABLE PRODUCTS

- ALKALINE CLEANERS
- CAUSTIC CLEANERS
- SANITIZERS
- ACIDS

UNACCEPTABLE PRODUCTS

- ALL HYDROCARBONS
- D-LIMONENE