
READ ALL INSTRUCTIONS BEFORE OPERATING EQUIPMENT

User Manual for Models:

FI-25

FI-25K

FI-25V

FI-25-ST

| 25 Gallon Portable Foam Unit |

READ ALL INSTRUCTIONS BEFORE OPERATING EQUIPMENT

READ ALL INSTRUCTIONS BEFORE OPERATING EQUIPMENT

Specifications:

Hose30 feet reinforced hose, 3/4 inch I.D
(9 meters reinforced hose, 3/4 inch I.D.)

Foam output.....20 to 45 gallons/minute
(75 to 170 liters/minute)

Foam output distance... 25 to 30 feet (7 to 9 meters)

Requirements:

Compressed air 40 to 80 PSI (3 to 5 bar) with 5 to 8 CFM (141.64 to 226.62 l/min)

Chemical requirements: follow all instructions from chemical manufacturer.

Air Operated Double Diaphragm Pump Options:

P56.....Flojet polypropylene body with Santoprene diaphragm

P56V..... Flojet polypropylene body with Viton diaphragm

P56K..... Flojet polypropylene body with Kalrez diaphragm

Acceptable Products: Alkaline cleaners, Caustic cleaners, Sanitizers, and Acids.




- * D-Limonene may only be used with Kalrez pump
- * Chlorine may only be used with Viton or Kalrez pump

DO NOT USE: All hydrocarbons



WARNING

Avoid Personal Injury

-  1. Always wear protective clothing, gloves, and eye wear while operating foam unit.
-  2. Avoid contact of cleaning agent with skin and eyes. If contact occurs, see MSDS sheet for further first aid measures.
-  3. Follow safety instructions of chemical manufacturer (MSDS).
- 4. After each use, relieve all remaining pressure in the system by unplugging the air line from the unit and opening the discharge ball valve to prevent accidental discharge.
- 5. Never point the discharge wand at anyone.
- 6. After relieving the pressure from the unit, store the unit with the ball valve in the closed position.



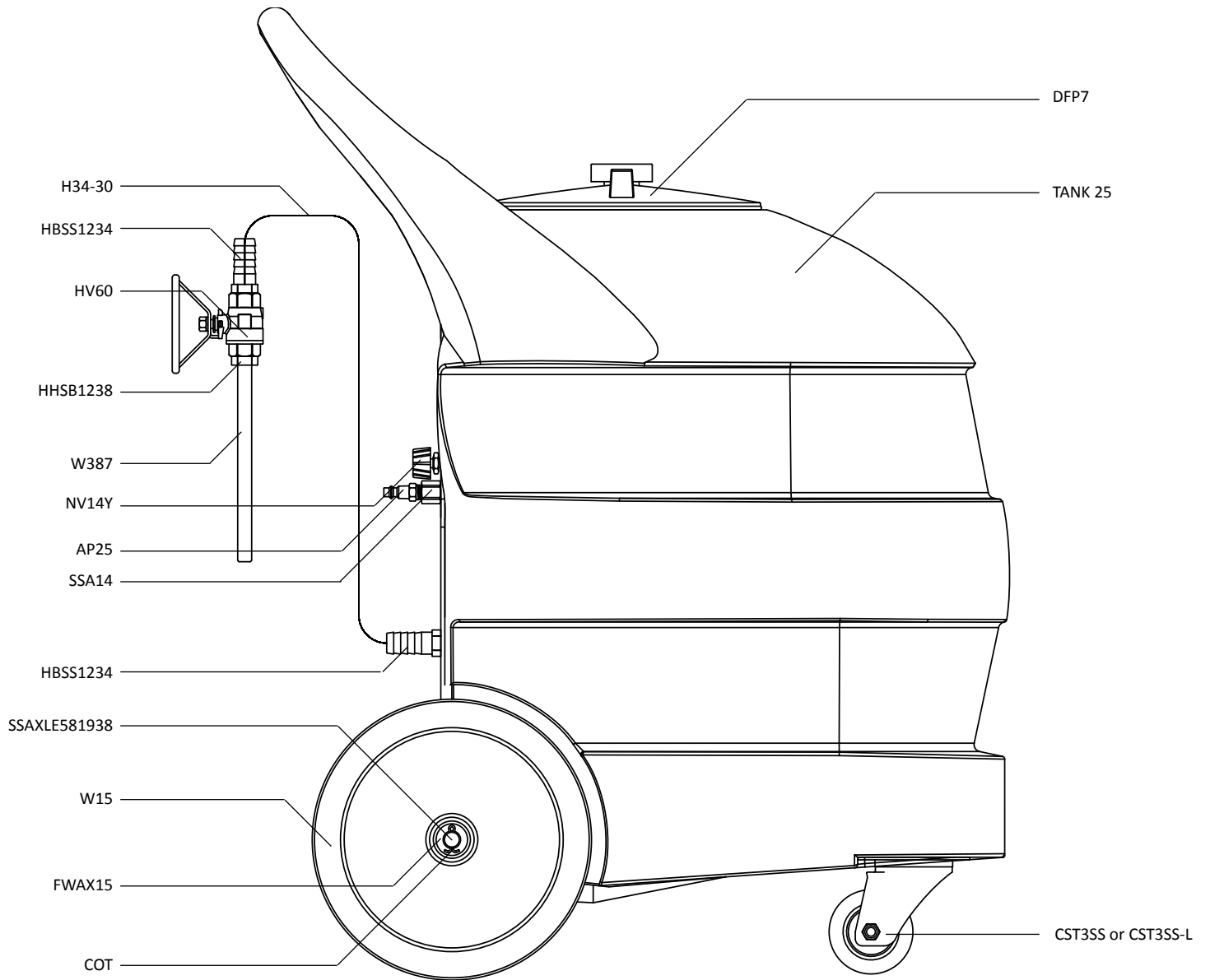
CAUTION

Avoid Equipment Damage

- 1. Only use clean and dry air. Air must be filtered and free of moisture or pump life will be diminished. If needed, install air dryer before unit.
- 2. Do not use air lubricator before the unit.
- 3. Be sure to flush the unit with fresh water for 5 minutes when switching from an alkaline to an acid or an acid to an alkaline.
- 4. Do not exceed a fluid temperature of 110°F (43°C).

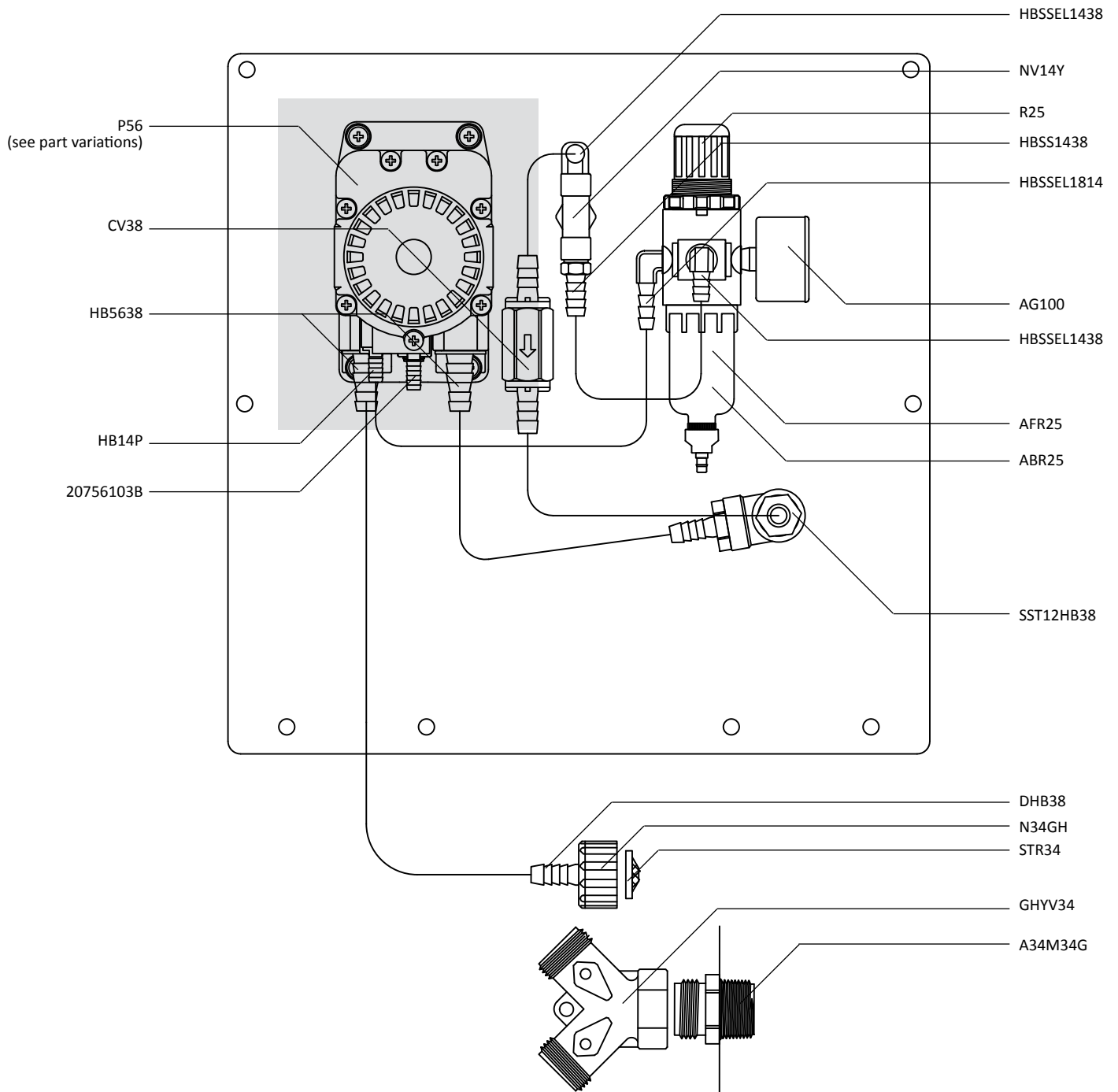
READ ALL INSTRUCTIONS BEFORE OPERATING EQUIPMENT

Inside View - Side View



READ ALL INSTRUCTIONS BEFORE OPERATING EQUIPMENT

Inside View - Control Box



READ ALL INSTRUCTIONS BEFORE OPERATING EQUIPMENT

Flo-jet Pump Variations:

Model: FI-25

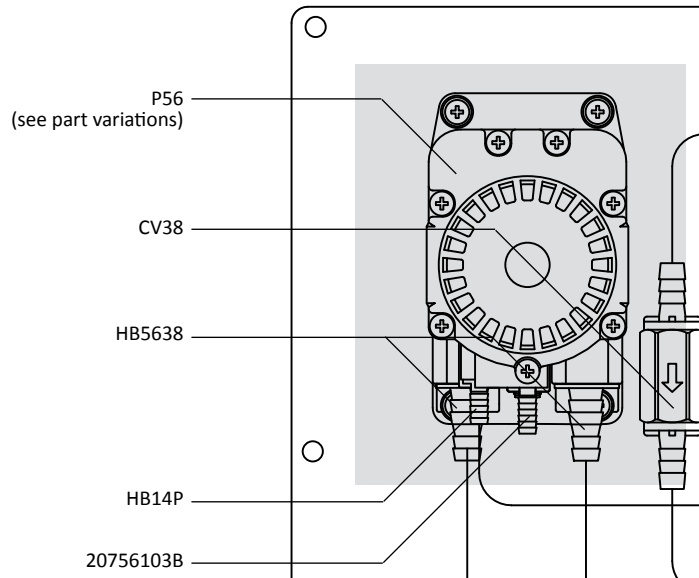
Item Number: P56

Model: FI-25K

Item Number: P56K

Model: FI-25V

Item Number: P56V

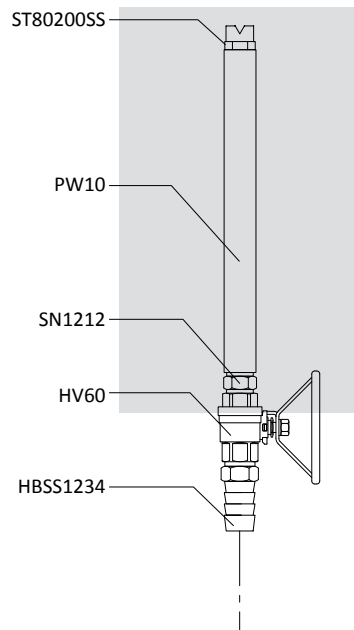


Discharge Wand Variations for Model FI-25-ST:

Item Number: ST80200SS

Item Number: PW10

Item Number: SN1212



READ ALL INSTRUCTIONS BEFORE OPERATING EQUIPMENT

Parts List

ITEM NUMBER	DESCRIPTION
20756103B	Polypro G57 Air Port x HB Straight, w/ Viton o-ring
A34M34G	3/4 GHT X 3/4 MPT ADAPTOR
ABR25	METAL AIR BOWL for R25
AFR25	AIR FILTER for R25
AG100	1.5in DRY MODEL 20 DUAL SCALE GAUGE
AP25	PLUG 1/4 NPTM AIR FITTING - BRASS
B103234	10-32 X 3/4 PHIL TRUSS MACH SCR 18-8
B8X58	#8 X 5/8 inch STAINLESS STEEL SHEET METAL SCREW
COT	1/8 X 1 COTTER PIN 18-8 S/S
CST3SS	3in S.S. SWIVEL CASTER W/O LOCK
CST3SS-L	3in S.S. SWIVEL CASTER WITH LOCK
CV38	PVC CHECK VALVE 3/8 BARBS - SS SPRING
DFP7	7 INCH HINDGED CAP INCLUDES LID FLANGE AND HINGE PIN
DFP7-C	7 INCH DRAIN CAP POLYPRO BLACK
DFP7-F	7 INCH TANK LID FLANGE POLYPRO
DFP7-PIN	HINGE PIN FOR DFP7-C & DFP7-C
DHB38	3/4 FLAT SEAT 3/8 HOSE BARB
EC14-2	OETIKER CLAMP 13.8
EC75	OETIKER CLAMP-12/04/07
F34SS-L	SS CRIPM FERRULE 1.90inches X 1.5 inches LONG
FWAX15	FLAT AXLE WASHER
FWP12	7/8 ID X 1.5 OD X 0.05 THK SSFW
FWP14	C-816 1/2in SS WASHER
GHYV34	3/4in GARDEN HOSE Y VALVE
H14B-H	1/4 INCH BLUE HOSE- GOODYEAR HORIZON
H34-30	30ft OF 3/4in REPLACEMENT HOSE
H34B-H	3/4 INCH BLUE GOODYEAR HORIZON HOSE
H38B-H	3/8 inch BLUE HOSE - GOODYEAR HORIZON
HB14P	1/4in BRASS HB AIR FITTING /G57/P56
HB5638	HOSE BARB FOR P56 PUMP
HBSS1234	STAINLESS HOSE BARB 1/2 X 3/4
HBSS1438	STAINLESS 1/4 MPT X 3/8 HOSE BARB
HBSS1438	STAINLESS HOSE BARB ELBOW 1/4 INCH NPT X 3/8 HOSE BARB
HBSS1814	304 STAINLESS ELBOW 1/8 INCH NPT X 1/4 INCH HOSE BARB
HHSB1238	HEX HEAD S.S. REDUCER BUSHING 1/2in X 3/8
HV60	1/2in STAINLESS BALL VALVE - w/ WELDED NUT
N34GH	3/4 GARD HSE SWIVEL NUT
NV14Y	FLOW CONTROL VALVE - INCLUDES BLACK KNOB

P56	5700 SANTO PUMP
P56K	5700 PUMP WITH KALREZ SEALS
P56V	FLOJET G57 PUMP WITH VITON
PL25-N	PLATE FOR NEW STYLE FI-25 - TANK 25
PW10	3/4in BLACK POLY PRO X 10in - FPTBE - SCH.80
R25	AIR REGULATOR INCLUDES AIR FILTER AND BOWL
S142058-VS	1/4-20 X 5/8 PHIL TRUSS MACHINE SCREW 18-8 W/#516 VIBRASEAL ORANGE PATCH
SN1212	1/2in HEX STAINLESS STEEL NIPPLE
SSA14	SS304 MALE/FEMALE ADAPTER 1/4 NPT X 1/4 NPT
SSAXLE581938	SS Axle T304 5/8in dia. x 19.18in (+/- .063) 2 - 11/64in holes .130in (+/- .015in) from each end
SSC38	WORM GEAR CLAMP, S/S (.25-.63)
SS-MESH	STAINLESS STEEL MESH WITH SSST FOR REPLACEMENT
SSP25	STAINLESS STEEL PLATE FOR FI-25
SSST	SCREEN DISC .687 DIA. 10 X 10 MESH @ .020 DIA. 300 SERIES S.S.
SST12HB38	STAINLESS TEE COMBO 1/2in FPT X 3/8 in BARB
ST80200SS	VEEJET NOZZLE, SS 80200
STR34	1in SEAL/STRAINER FOR 3/4 GH FITTINGS
TANK 25	25 GALLON CLEANING TANK
TW916	1/2 INT TOOTH L/W 410SS
W15	15 GALLON UNIT WHEEL
W387	S.S. 304 SPRAY WAND 3/8in MPT X 7in LONG - THREAD ON ONE END

READ ALL INSTRUCTIONS BEFORE OPERATING EQUIPMENT

Safety Instructions:

1. Always wear safety goggles and protective gloves while operating foam unit.
2. Avoid contact of cleaning agent with skin and eyes.
3. If contact occurs, see MSDS sheet for further first aid measures.
4. After use, relieve all remaining pressure in the system by unplugging the air line from the unit and opening the ball valve (HV60) until all pressure is released.
5. Never point the discharge wand at anyone.
6. Be sure to flush the unit with fresh water for 5 minutes when switching from an alkaline to an acid or an acid to an alkaline.

Operation Instructions:

1. Follow all instructions from chemical manufacturer. Fill the tank with pre-mixed solution.
2. With the ball valve (HV60) in the closed position, plug an air line into the air fitting (AP25).
3. Slowly open ball valve (HV60).
4. Adjust the needle valve (NV14Y) to desired wetness or dryness of foam following the steps below:
 - a. Close needle valve (NV14Y) completely in clockwise direction.
 - b. Open needle valve (NV14Y) in counter-clockwise direction 3 complete turns.
 - c. Continue to open needle valve in ¼ turn increments allowing 30 seconds between adjustments until proper consistency of foam is achieved.

After Use Instructions:

1. It is recommended to run a gallon of fresh water through the unit after each use. With the ball valve (HV60) open, run the unit until the gallon of water has gone through the unit and discharged out the discharge hose.
2. Disconnect the air line from the AP25 and relieve any remaining pressure in the system by having the ball valve (HV60) in open position.
3. Close the ball valve (HV60) when all the pressure is relieved from the system.

Maintenance:

To keep your foam unit operating properly, periodically perform the following maintenance procedures:

1. Check the air pump for wear and leaks.
2. Replace filter in regulator as needed.
3. Check the suction tube and screen for debris and clean as needed.
4. Drain compressor tank on a regular basis to ensure proper operation of pump.

Troubleshooting Instructions:

1. Check for proper air pressure on air gauge (AG100). The recommended air pressure is 50 to 60 psi (3.45 to 4.14 bar). The maximum air pressure is 90 psi (6.21 bar).
2. Check metal air bowl (ABR25) for debris such as water, oil, or rust particles. Clean by unthreading the air bowl (ABR25) from the air regulator (R25).
3. Check for plugged strainer (STR34). Replace strainer (STR34) if necessary. Strainer (STR34) must be used.
4. If the needle valve (NV14Y) is open too far the pump (P56/P56K/P56V) will cycle improperly due to lack of air pressure, if this occurs, reset needle valve (NV14Y) as described in operation instruction #4.
5. Make sure proper foaming chemical and concentration is being used.
6. If air passes through the pump (P56/P56K/P56V) without cycling, replace the pump (P56/P56K/P56V).
7. If foam solution backs up into the air bowl (ABR25), the check valve (CV38) needs to be replaced.
8. If foam comes out wet, no matter where the needle valve (NV14Y) is positioned, the check valve (CV38) may need to be replaced.
9. If the unit foams at a reduced pressure:
 - a. Check the air compressor supplying the unit. If the pressure is less than 40 PSI, turn the foam unit off until the compressor can catch up.
 - b. Check the air gauge (AG100), to ensure the air supply is 60 psi (4.14 bar) or above. If the air gauge (AG100) is more or less than 60 psi (4.14 bar), adjust the pressure by turning the knob on the top of the air regulator (R25). The maximum air pressure is 90 psi (6.21 bar).
 - c. If both, a and b, are okay, the stainless steel mixing mesh could be plugged. Remove and clean it by following the instructions below:
 - i. Be sure the foam unit is not plugged into an air supply and be sure to relieve all stored pressure in the unit by having the ball valve (HV60) in the open position.
 - ii. Remove the hose barb (HBSS1234) from the tee (SST12).
 - iii. Remove the screen and the mixing mesh from inside the tee (SST12).
 - iv. Clean any particles from the mixing mesh and the screen.
 - v. Replace the mixing mesh and then the screen into the back of the tee and screw the hose barb back into the tee. It is recommended to use a pipe thread sealant when reinstalling the hose barb (HBSS1234) into the tee (SST12). If the mixing mesh has a lot of foreign particles in it, make sure the strainer (STR34) is still in place.