

---

**READ ALL INSTRUCTIONS BEFORE OPERATING EQUIPMENT**

User Manual for Models:

---

**FI-2 SL**

| 2 Gallon Pump Up Foam Unit  
with Single Line Tubing |

---

**READ ALL INSTRUCTIONS BEFORE OPERATING EQUIPMENT**

## READ ALL INSTRUCTIONS BEFORE OPERATING EQUIPMENT



### WARNING



- PEOPLE OR OBJECTS CAN BE HURT OR DAMAGED IF THIS FOAMER IS NOT CORRECTLY USED
- Always wear protective clothing, gloves, and eye wear while servicing the unit. Protect eyes, skin, and lungs against drifting spray.
- Read chemical's MSDS sheet before using this unit.
- Depressurize and clean unit after each use. Release any remaining air pressure by twisting the pressure relief valve to the right ½ turn.
- Never leave unit unattended while pressurized.
- DO NOT use solutions above 100°F (37.77°C).
- Never carry tank by the hose, wand, or unlocked pump handle.
- Maintenance Instructions: Should pumping become difficult, raise pump and apply 5-10 drops of any food safe lubricant between pump and pump sleeve.
- NOTICE: Buyer assumes all responsibility for safety and proper use in accordance with the instructions.

#### SPECIFICATIONS:

Discharge Gun Vibration level ..... Maximum 2.5 m/s<sup>2</sup>  
Liquid Temperature ..... 100°F (37.77°C)  
Noise Level..... Maximum 70 dB

#### DIMENSIONS:

Height ..... 19 in (500 mm) approximately  
Diameter ..... 6 in (150 mm) approximately  
Weight ..... 4.4 lbs (2 kg) empty, 22 lbs (10 kg) full approximately

**ACCEPTABLE PRODUCTS:** Alkaline Cleaners, Caustic Cleaners, Sanitizers, Chlorine and Acids.

**DO NOT USE:** All hydrocarbons or D-Limonene

#### INSTRUCTIONS

1. Release any remaining air pressure by twisting the pressure relief valve to the right ½ turn.
2. Unscrew the cap assembly from the tank.
3. Mix foaming chemical solution following the manufacturer's directions.
4. Fill tank with solution up to the first band, or 1 gal (3.78 l) of solution.
5. Replace cap assembly and tighten securely.
6. Turn pressure relief valve to the right and tighten to seal.
7. Pressurize tank by pumping approximately 15-20 times depending on amount of solution.
8. Grasp trigger gun, aim in safe direction and squeeze trigger to spray foam.
9. Must remove all pressure from unit before emptying or refilling.

#### NOTE

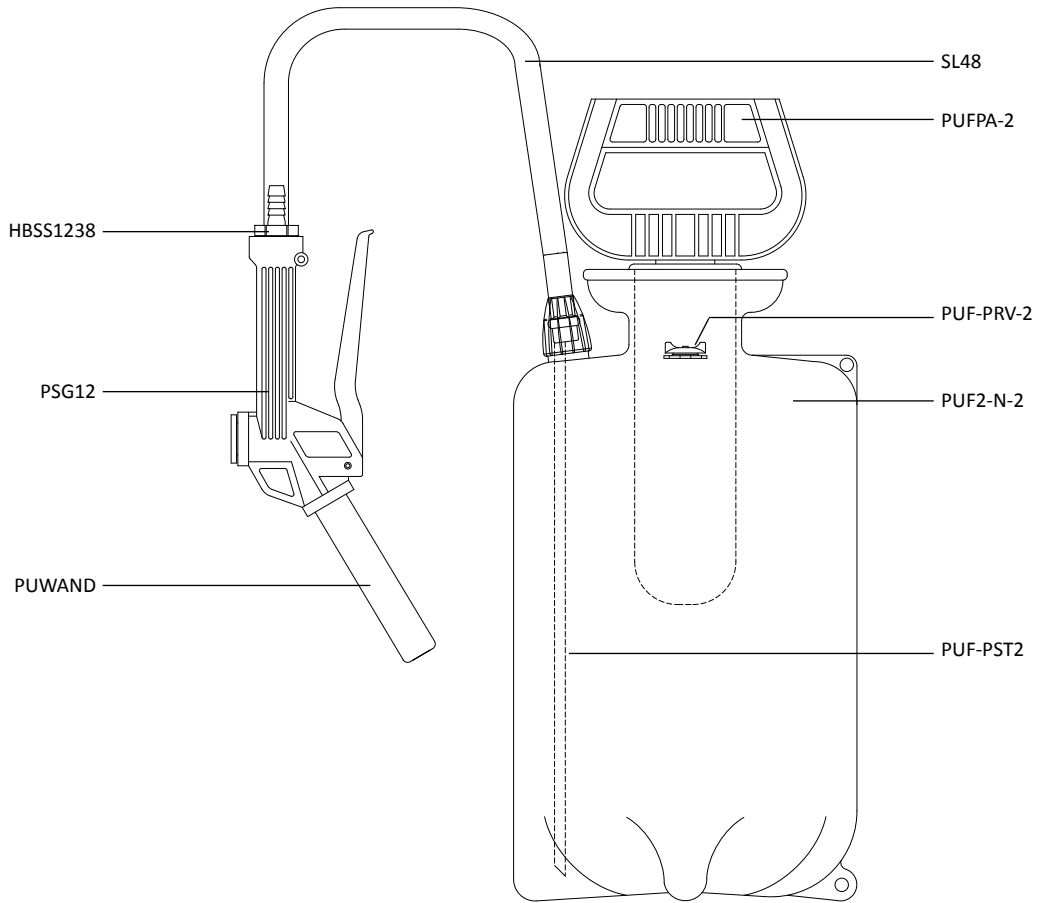
1. Operator should periodically lubricate the seals of the pump with food safe lubricants such as petroleum jelly, grease, vegetable oil. NEVER USE LUBRICANTS SUCH AS WD40.
2. After each use, run clean water through the unit and rinse all parts thoroughly with clean water.

#### HOW TO CHANGE WADDING IN SPRAY GUN AND WAND:

1. Unthread poly wand from spray gun.
2. Remove white wadding in poly wand and dispose of wadding (Item No.: WAAD-.625).
3. Remove washer (Item No.: PSGORV) in spray gun. Washer may be reused if in good condition.
4. Remove white wadding from spray gun and dispose of wadding (Item No.: WAAD-.5).
5. Insert new wadding (ItemNo.: WAAD-.5) and washer (ItemNo.: PSGORV) in spray gun.
6. Insert new wadding in poly wand (ItemNo.: WAAD-.625).
7. Attach poly wand onto spray gun.



**PARTS LIST:**



ITEM NUMBER	DESCRIPTION
HBSS1238	STAINLESS HOSE BARB 1/2mpt X 3/8 barb
PSG12	POLY SPRAY GUN 1/2 INCH MPT WITH VITON O-RING (PSGORV)
PUF2-N-2	2 GALLON PUMP UP FOAMER TANK WITH PRESSURE RELIEF VALVE
PUFPA-2	PUMP ASSEMBLY FOR PUMP-UP
PUF-PRV-2	PRESSURE RELIEF VALVE
PUF-PST2	SUPPLY TUBE FOR R-L PUMP UP FOAMER - 15in
PUWAND	PUMP UP FOAMER WAND
SL48	48 INCH SINGLE LINE PUMP UP HOSE WITH TANK NUT
SSC38	WORM GEAR CLAMP, S/S (.25-.63)
WAAD-.5	WAADING FOR PUMP-UP FOAMER - 1/2 in DIA.
WAAD-.625	WAADING FOR PUMP-UP FOAMER - .625 in DIA.