

# F<sup>OG</sup>-iT 10



Caution!

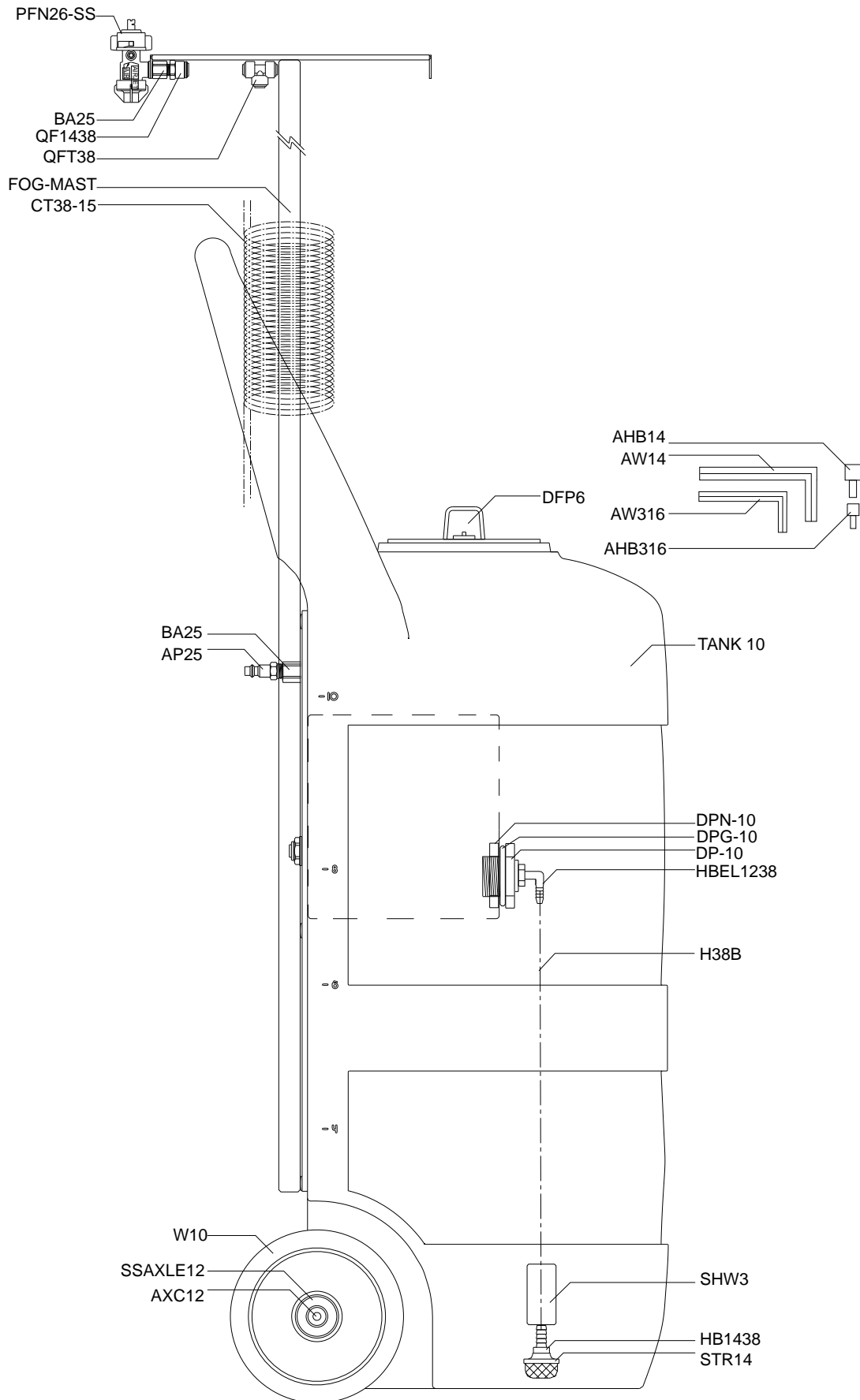


Always wear a respirator, earplugs, gloves, eye wear, and protective clothing if unable to avoid exposure to chemicals. All personnel should be in protective equipment or evacuated from area before fogging. Never discharge toward or near electrical outlets or equipment.



## OWNER'S MANUAL

# FOG-iT 10



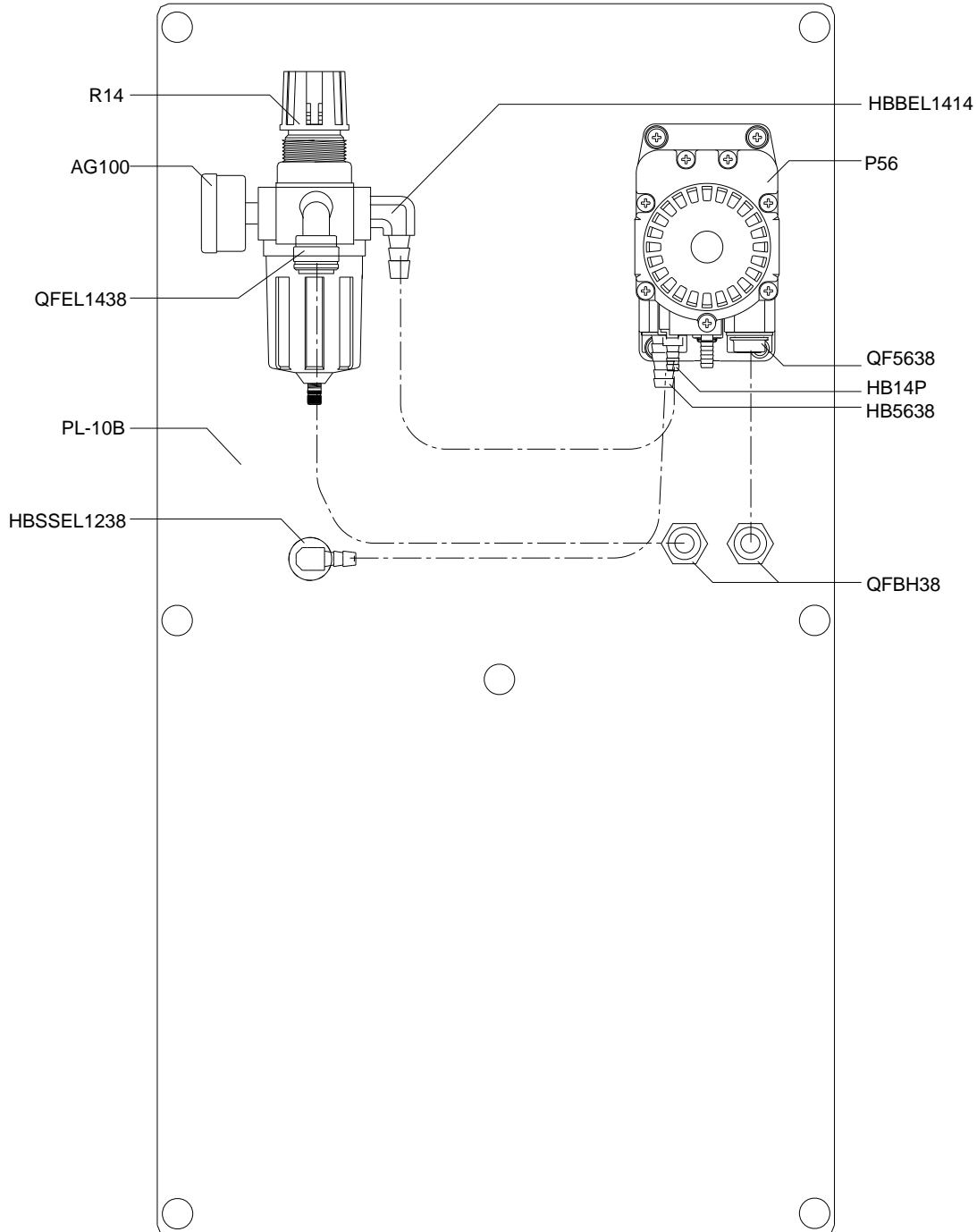
**SIDE VIEW**

# FOG-iT 10



Caution!

Always wear a respirator, earplugs, gloves, eye wear, and protective clothing if unable to avoid exposure to chemicals. All personnel should be in protective equipment or evacuated from area before fogging. Never discharge toward or near electrical outlets or equipment.



**INSIDE VIEW - CONTROL PANEL**

04/29/08


# FOG-iT 10

## PARTS LIST






### PARTS LIST

PART NO.	DESCRIPTION
AHB14	HEX HEAD 1/4 INCH SCREW
AHB316	HEX HEAD 3/16 INCH SCREW
AG100	1.5in DRY MODEL 20 DUAL SCALE GAUGE
AP25	PLUG 1/4 NPTM AIR FITTING - BRASS
AW316	3/16 INCH ALLEN WRENCH
AW14	1/4 INCH ALLEN WRENCH
AXC12	1/2in PUSH NUT FOR AXLE CAP
BA25	MALE/FEMALE ADAPTER 1/4 X 1/4
CT38-15	3/8 INCH X 15 FT COILED BLACK AND CLEAR TUBING
DFP6	6 INCH THREADED CAP FOR 10 GALLON UNIT
DPG-10	BULKHEAD GASKET
DP-10	BULKHEAD BODY 1/2 FPT
DPN-10	BULKHEAD RETAINING NUT
FOG-IT MAST	TELESCOPING FOGGING MAST
HB5638	HOSE BARB FOR P56 PUMP
HB14P	1/4in BRASS HB AIR FITTING
HB1438	1/4in MPT X 3/8in HOSE BARB (PLASTIC)
HBEL1238	HOSE BARB ELBOW 1/2 X 3/8
HBEL1414	1/4 BRASS HOSE BARB X 1/4 PIPE ELB
HBSEL1238	304 S.S. 1/2in MPT BY 3/8in H.B. ELBOW
HBSS1212	STAINLESS HOSE BARB 1/2 X 1/2
P56	5700 SANTO PUMP
PFN26-SS	PNEUMATIC FOG NOZZLE WITH STAINLESS STEEL TIP - HIGH FLOW
PL10B	PLASTIC PLATE FOR FI-10 UNIT
QF5638	3/8in QF PUMP FITTING / G57
QF1438	MALE CON. 3/8in TUBE X 1/4in MPT - POLYPROPYLENE
QFBH38	QF 3/8 IN BULKHEAD FITTING
QFEL1438	FIXED ELBOW 3/8in TUBE X 1/4in MPT - POLYPROPYLENE
QFT38	UNION TEE 3/8in TUBE
R14	FILTER REGULATOR COMBO INCLUDES AFR15 AND ABR15
SHW3	3in LONG COATED WEIGHT
STR14	40 MESH SUCTION LINE STRAINER
SSAXLE12	12 9/16IN x 1/2IN STAINLESS STEEL AXLE FOR 10 GALLON UNIT
TANK 10	10 GALLON ROTOMOLDED TANK
W10	6 in wheel X 1.25 in TPR Celcon Brg 1/2 in Axle

# F G-iT 10



Caution!



Always wear a respirator, earplugs, gloves, eye wear, and protective clothing if unable to avoid exposure to chemicals. All personnel should be in protective equipment or evacuated from area before fogging. Never discharge toward or near electrical outlets or equipment.

## INSTRUCTIONS

1. Remove the unit from the packaging, attach the nozzle assembly to fog mast with screw provided with allen wrench provided. Connect the black tube into the tee labeled with a black ring, attach the clear tube into the other tee on the fog nozzle assembly.
2. Fill the 10 gallon tank with the solution to be fogged.
3. Place the unit in the area where fogging is needed, adjust mast to desired height, wearing proper safety equipment plug a compressed air line into the unit and evacuate the area.
4. Unplug the unit from air when finished.