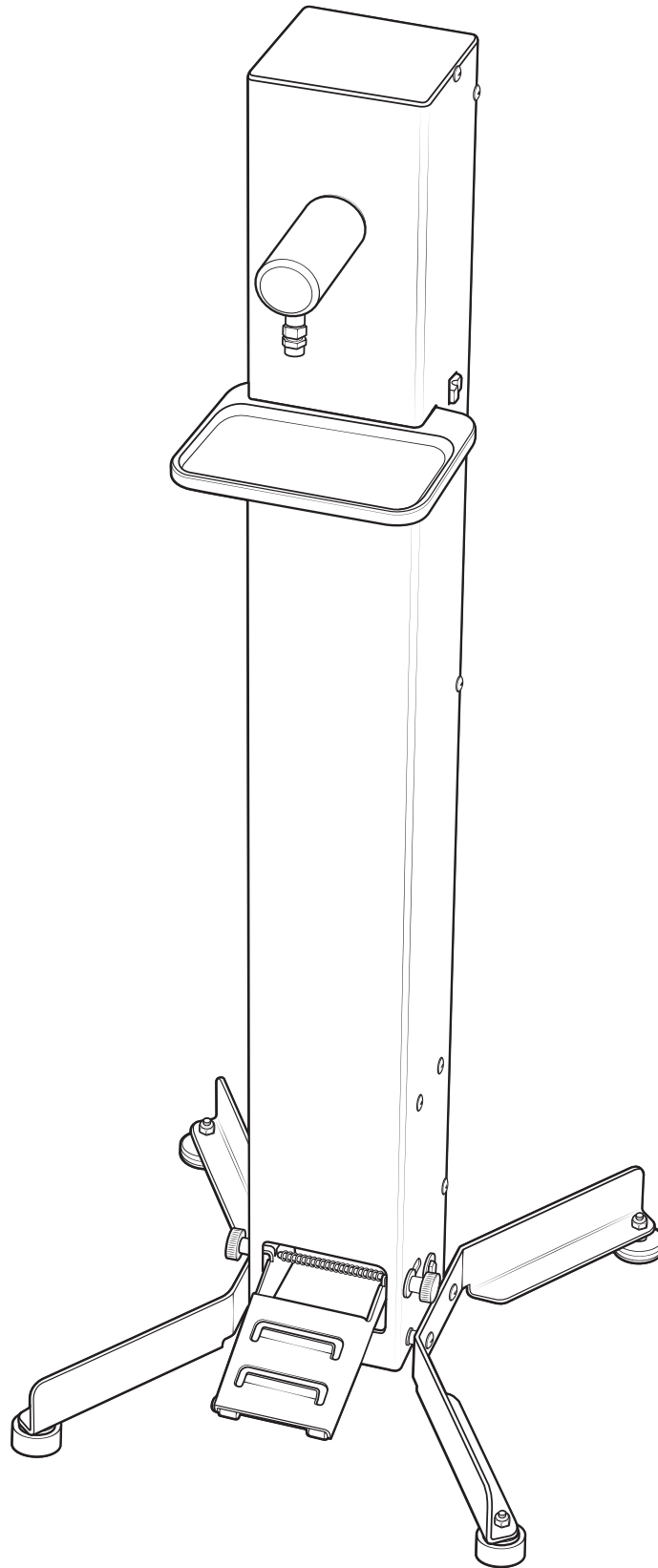


Hand Sanitizer Dispenser

User Manual

HSD1



READ ALL INSTRUCTIONS BEFORE USING, OR SERVICING, THIS EQUIPMENT. KEEP THIS MANUAL IN A LOCATION THAT IS READILY AVAILABLE TO USERS AND SERVICE TECHNICIANS.

English (Original Instructions)

Contents

- 1 Safety3
- 2 Product Overview4
- 3 Assembly6
- 4 Operation7

1 Safety

WARNING



Failure to read all the instructions before operating the unit may result in personal injury or death from the improper use of the chemical solution. Anyone handling, operating or using the unit must read, and understand, the instructions in the manual. The buyer assumes all responsibility for safety and proper use in accordance with the instructions.

Read, and follow, all chemical safety precautions and handling instructions provided by the solution manufacturer and the Safety Data Sheet (SDS) associated with the solution being used before using the equipment.



Using, or servicing, the unit without proper protective clothing, gloves, and eye wear may result in serious injury such as burns, rashes, eye, throat or lung damage and death. Always wear protective clothing, gloves, and eye wear when using, or servicing, the unit. Protect eyes, skin, and lungs against drifting spray.



Splashing or spills may result in standing fluid and cause people to slip and fall resulting in serious injury or death. Immediately cordon off the hazardous area to human and vehicular traffic and clean up any standing fluid around the equipment. Always follow the guidelines of the solution manufacturer and the Safety Data Sheet (SDS) associated with the solution when disposing the material used to clean the standing fluid.

NOTICE

Servicing, or modification, of this unit with parts not listed in this manual may cause the unit to operate improperly. Do not use unauthorized parts when servicing the unit.

PROTECT THE ENVIRONMENT



Please dispose of packaging materials, old machine components, and hazardous fluids in an environmentally safe way according to local waste disposal regulations

2 Product Overview

Product requirements

Chemical viscosity requirements	Use with low viscosity sanitizers similar to water.
Chemical compatibility	Chemical products used with this equipment must be formulated for this type of application and compatible with unit materials and pump seals. For more information on chemical compatibility, consult the manufacturer or SDS for your product or contact our customer service department.

Product specifications

Power type	Manual
Chemical pickup type	Draws from pre-mixed solution
Number of products unit can draw from	One product
Suction line length/diameter	3 ft. (0.9 m) clear hose with 1/4 in. (6.4 mm) inside diameter
Output volume	Priming: 0.14 oz (4.0 ml) Dispenser setting one: 0.08 oz (2.3 ml) Dispenser setting two: 0.05 oz (1.4 ml)
Fluid fittings type	Viton
Product height	Overall dimensions: 16.25 x 16.25 x 47.5 in. (41.3 x 41.3 x 120.7 cm) Nozzle height: 41 in. (104.1 cm)
Nozzle type	90 degree full cone spray nozzle, .27 gpm (1.02 lpm)
Number of nozzles	One

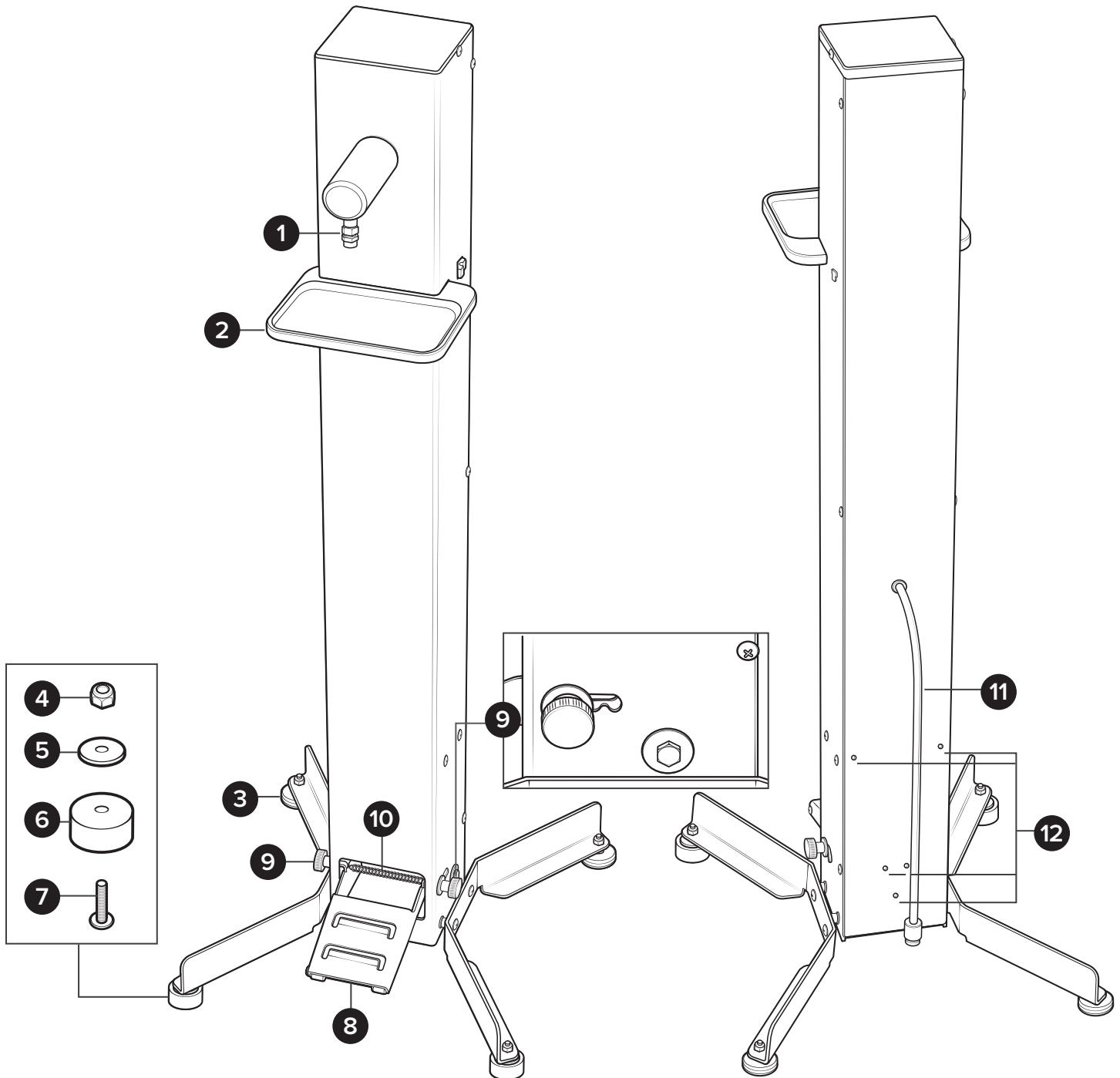
* Dilution rates and flow rates given are based on chemical with viscosity of water and factory air pressure settings.

Product components

Before you begin get to know the HSD1 components that you will need to use, adjust or assemble.

Dispenser • Front view

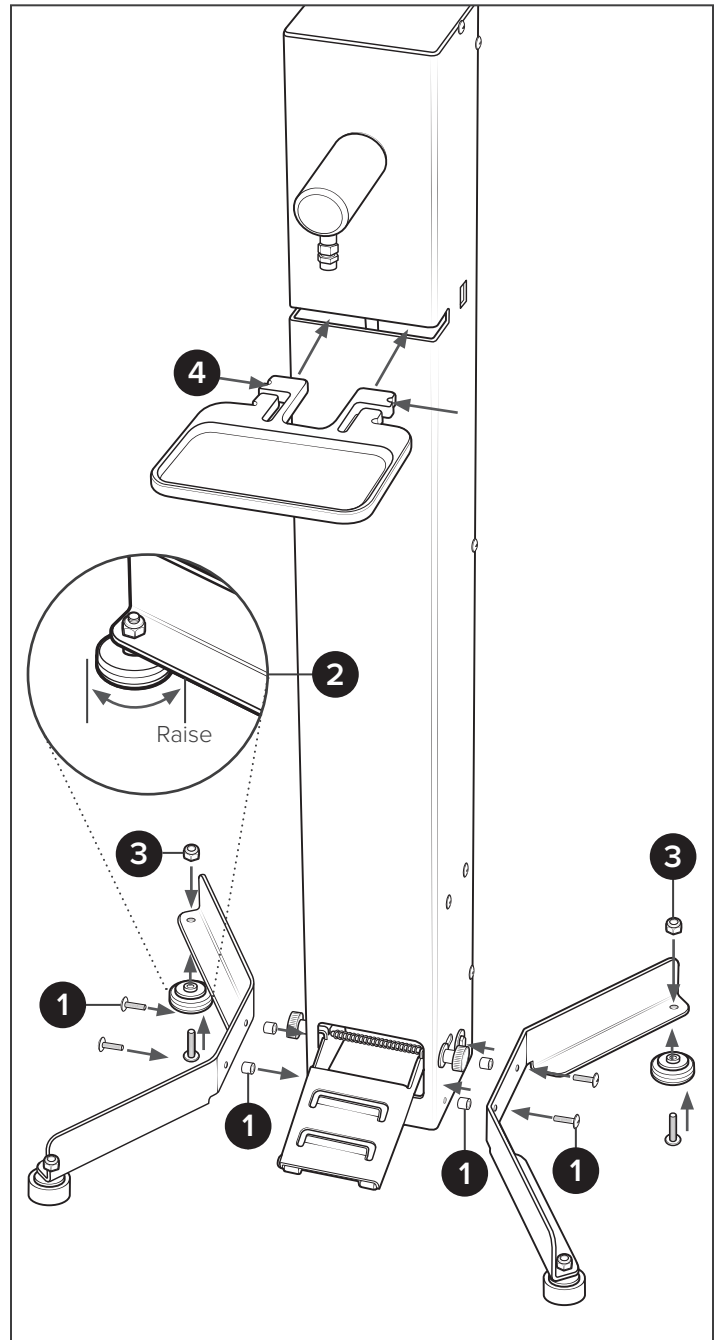
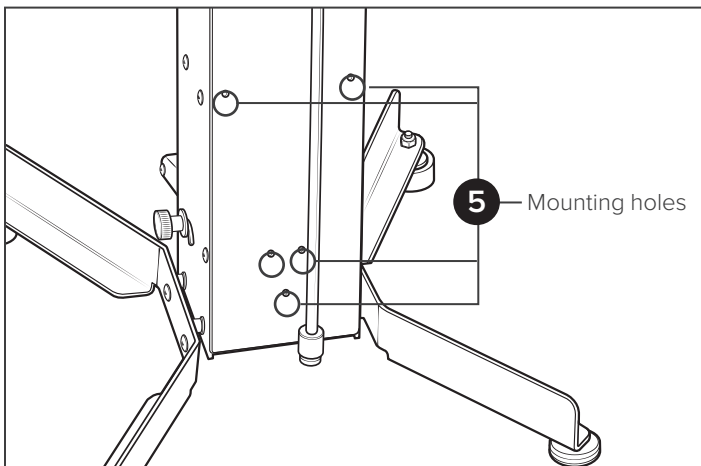
Dispenser • Back view



- | | |
|------------------|---------------------------------|
| 1. Nozzle | 7. Foot bolt |
| 2. Drip tray | 8. Foot pedal |
| 3. Leveling foot | 9. Dosing position thumb nut |
| 4. Foot nut | 10. Foot pedal axle |
| 5. Washer | 11. Chemical suction line |
| 6. Front foot | 12. Chemical jug mounting holes |

3 Assembly

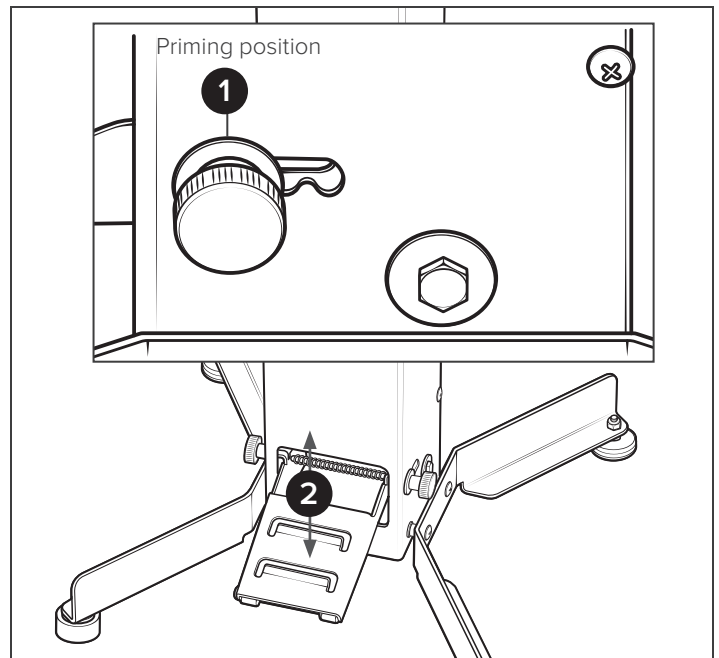
1. Install the legs using (4) screws and (4) spacers from the parts package. Pass the screw through the foot, then the spacer, and tighten. The leveling foot must be at the rear of the unit.
2. Level the unit using the (2) leveling feet at the back of the leg. Turn the foot clockwise to lower the foot or counterclockwise to raise it.
Note: The front two feet are fixed in height and are not adjustable.
3. Lock each leveling foot in place by tightening the nut on top of the foot.
4. Slide the drip tray into the slot on the front of the unit beneath the nozzle. Pinch the tabs in and push the tray in until the tabs snap into place. To remove, push the tabs in and pull the tray out.
5. Use the pre-drilled holes on the back of the unit to mount an optional chemical jug holder.



4 Operation

Priming

1. Set the dosing to the “Priming” position – the notch closest to the front of the unit.
2. Pump the foot pedal until solution comes out of the nozzle. It may take several pumps.



Setting the Dosing

1. To change the dosing position, loosen the thumb nuts $\frac{1}{4}$ to $\frac{1}{2}$ turn so that the pedal axle can slightly move. Do not remove the thumb nuts.
2. Lift pedal to unlock axle. With pedal in up position, move the pedal axle forward or backward into the desired dosing position. Make sure the axle is in the same position on both sides.

Note: If axle or pedal seems askew or pedal depression seems difficult, repeat step 2.

3. Tighten the thumb nuts to hand-tight. Do not overtighten.

