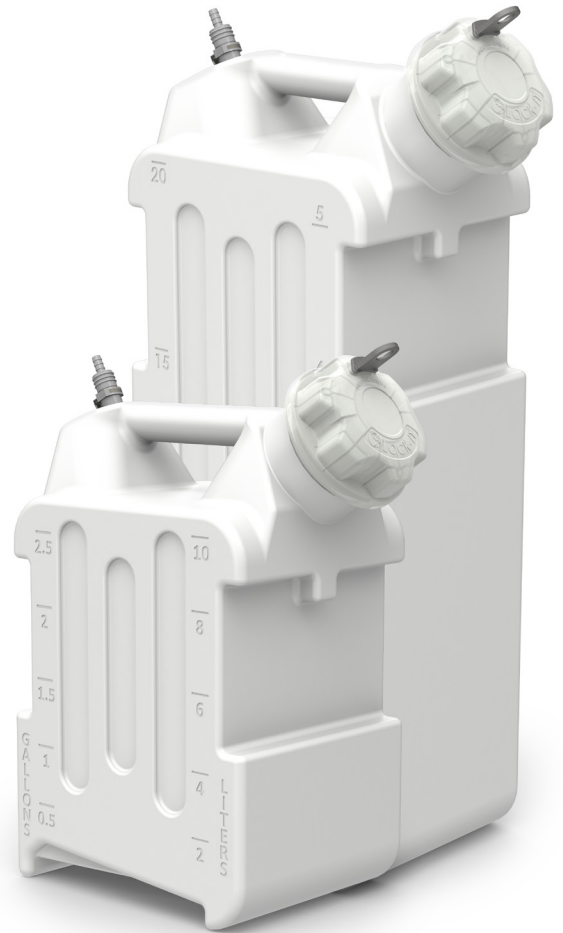




# Chemical Jugs with Locking Cap

2.5 or 5 gallon



Polyethylene jug available in 2.5 or 5 gallon size

Product level markings in gallons and liters

Translucent jug allows visibility of product levels

Optional stainless steel rack, designed for easy cleaning

Optional integrated suction fitting for 1/4 in. I.D. tubing, with draw tube for chemical pickup

Durable, corrosion-resistant polypropylene, polyethylene, and stainless steel locking cap

Metal-detectable universal key with hole for lanyard or keychain

Tamper-resistant – designed to withstand attempts to force open with other tools

Color coding options for locking cap (BL, GN, YL, RD)

