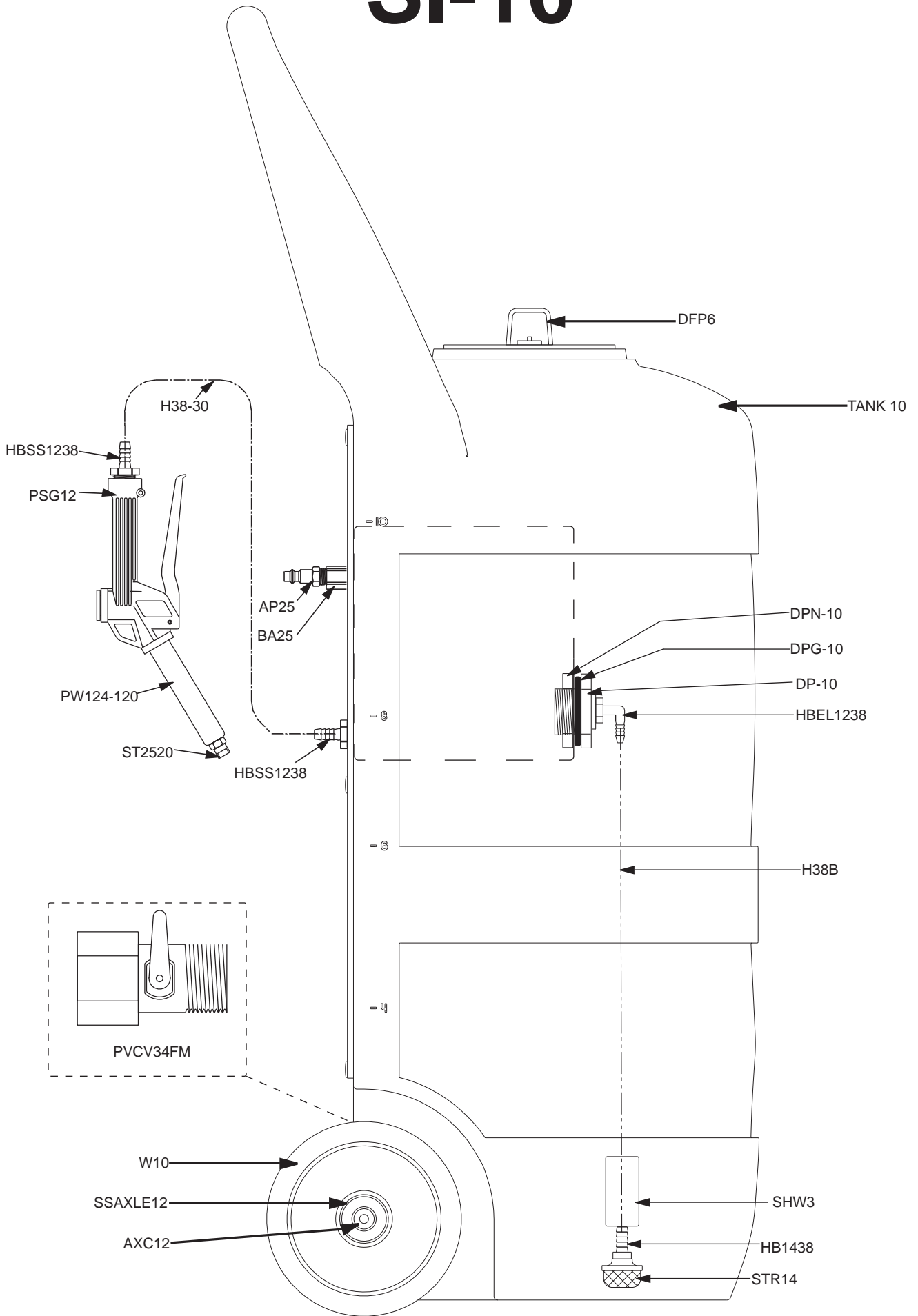


SI-10

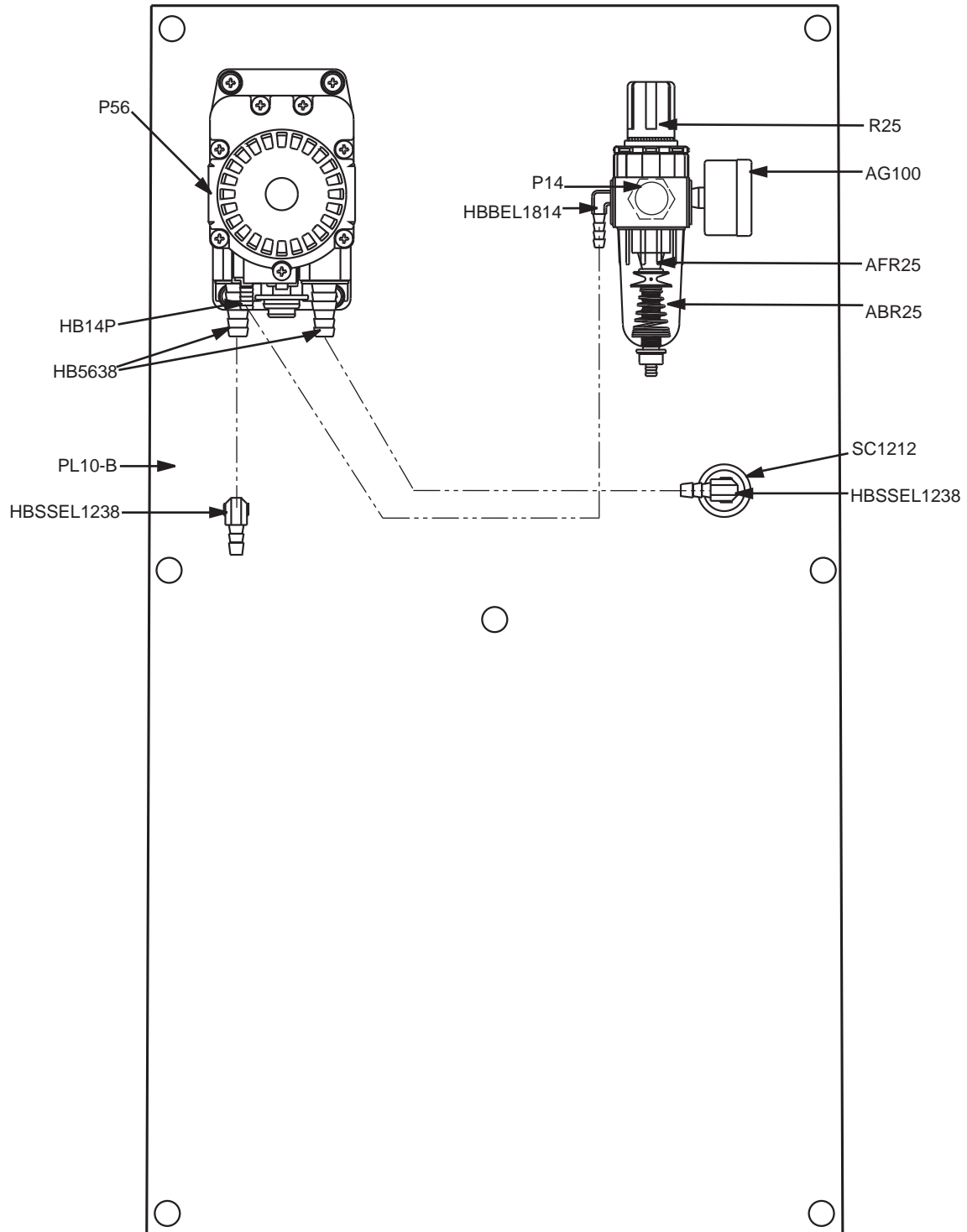


OWNER'S MANUAL

SI-10



SI-10



INSIDE VIEW - CONTROL PANEL

SI-10

PARTS LIST

PART NO.	DESCRIPTION
ABR25	AIR BOWL FOR R25
AFR25	AIR FILTER FOR R25
AG100	1.5in DRY MODEL 20 DUAL SCALE GAUGE
AP25	PLUG 1/4 NPTM AIR FITTING - BRASS
AXC12	1/2in PUSH NUT FOR AXLE CAP
BA25	MALE/FEMALE ADAPTER 1/4 X 1/4
DFP6	6 INCH THREADED CAP FOR 10 GALLON UNIT
DP-10	BULKHEAD BODY 1/2 FPT
DPG-10	BULKHEAD GASKET
DPN-10	BULKHEAD RETAINING NUT
H38-30	30FT OF 3/8in BLUE HOSE REPLACEMENT
HB14P	1/4in BRASS HB AIR FITTING
HB5638	HOSE BARB FOR P56 PUMP
HB1438	1/4in MPT X 3/8in HOSE BARB (PLASTIC)
HBBEL1438	3/8 BRASS HOSE BARB X 1/4 PIPE ELB
HBBEL1814	HOSE BARB ELBOW 1/8 x 1/4
HBEL1238	HOSE BARB ELBOW 1/2 X 3/8
HBSS1238	STAINLESS HOSE BARB 1/2 X 3/8
HBSSSEL1238	304 S.S. 1/2in MPT BY 3/8in H.B. ELBOW
P14	COUNTERSUNK PLUG-HEXAGON 1/4
P56	5700 SANTO PUMP
PL10-B	PLASTIC PLATE FOR FI-10 UNIT
PSG12	1/2in POLY SPRAY GUN W/ GRAY HNDL. & 316SS
PVCV34FM	PVC VALVE 3/4in FPT X 3/4in MPT
PW124-120	1/2in BLACK POLY PRO X 4in - SCH.120 - 1/2in MPTOE & 1/4in FPTOE
R25	FILTER REGULATOR COMBO INCLUDES AFR25 AND ABR25
SC1212	S.S. COUPLER 1/2in BY 1/2in
SHW3	3in LONG COATED WEIGHT
SSAXLE12	12 9/16IN x 1/2IN STAINLESS STEEL AXLE FOR 10 GALLON UNIT
ST2520	VEEJET NOZZLE, BRASS 2520
STR14	40 MESH SUCTION LINE STRAINER
TANK 10	10 GALLON ROTOMOLDED TANK
W10	6 in wheel X 1.25 in TPR Celcon Brg 1/2 in Axle
SGA14	SANITIZER GUN ASSEMBLY (INCLUDES ITEM # HBSS1238, PSG12, PW124-120 and ST2520)

SI-10

SAFETY INSTRUCTIONS

1. ALWAYS WEAR SAFETY GOGGLES AND PROTECTIVE GLOVES WHILE OPERATING FOAM UNIT.
2. AVOID CONTACT OF CLEANING AGENT WITH SKIN AND EYES. IF CONTACT OCCURS RINSE AFFECTED AREA WITH WATER FOR 15 MINUTES AND GET MEDICAL ATTENTION IF NEEDED.
3. AFTER USE, RELIEVE ALL REMAINING PRESSURE IN THE SYSTEM BY UNPLUGGING THE AIR LINE FROM THE UNIT (AP25) AND OPENING THE DISCHARGE SPRAY GUN (PSG12) UNTIL ALL PRESSURE IS GONE.
4. NEVER POINT THE DISCHARGE WAND AT ANYONE.

OPERATION INSTRUCTIONS

1. FILL THE TANK WITH DESIRED SPRAY SOLUTION.
2. PLUG AN AIR LINE INTO THE AIR INLET FITTING (AP25)
3. HOLD THE DISCHARGE SPRAY GUN (PSG12) SECURELY IN HAND AND SPRAY DESIRED AREA.

WARNING: NEVER POINT THE DISCHARGE WAND AT ANYONE.

4. RELIEVE PRESSURE FROM DISCHARGE HOSE AFTER USE.

NOTE: AFTER SPRAYING HARSH CHEMICALS, IT IS RECOMMENDED THAT YOU RUN AT LEAST ONE GALLON OF WATER THROUGH THE UNIT.

ACCEPTABLE PRODUCTS

- ALKALINE CLEANERS
- CAUSTIC CLEANERS
- SANITIZERS
- ACIDS

UNACCEPTABLE PRODUCTS

- ALL HYDROCARBONS
- D-LIMONENE