

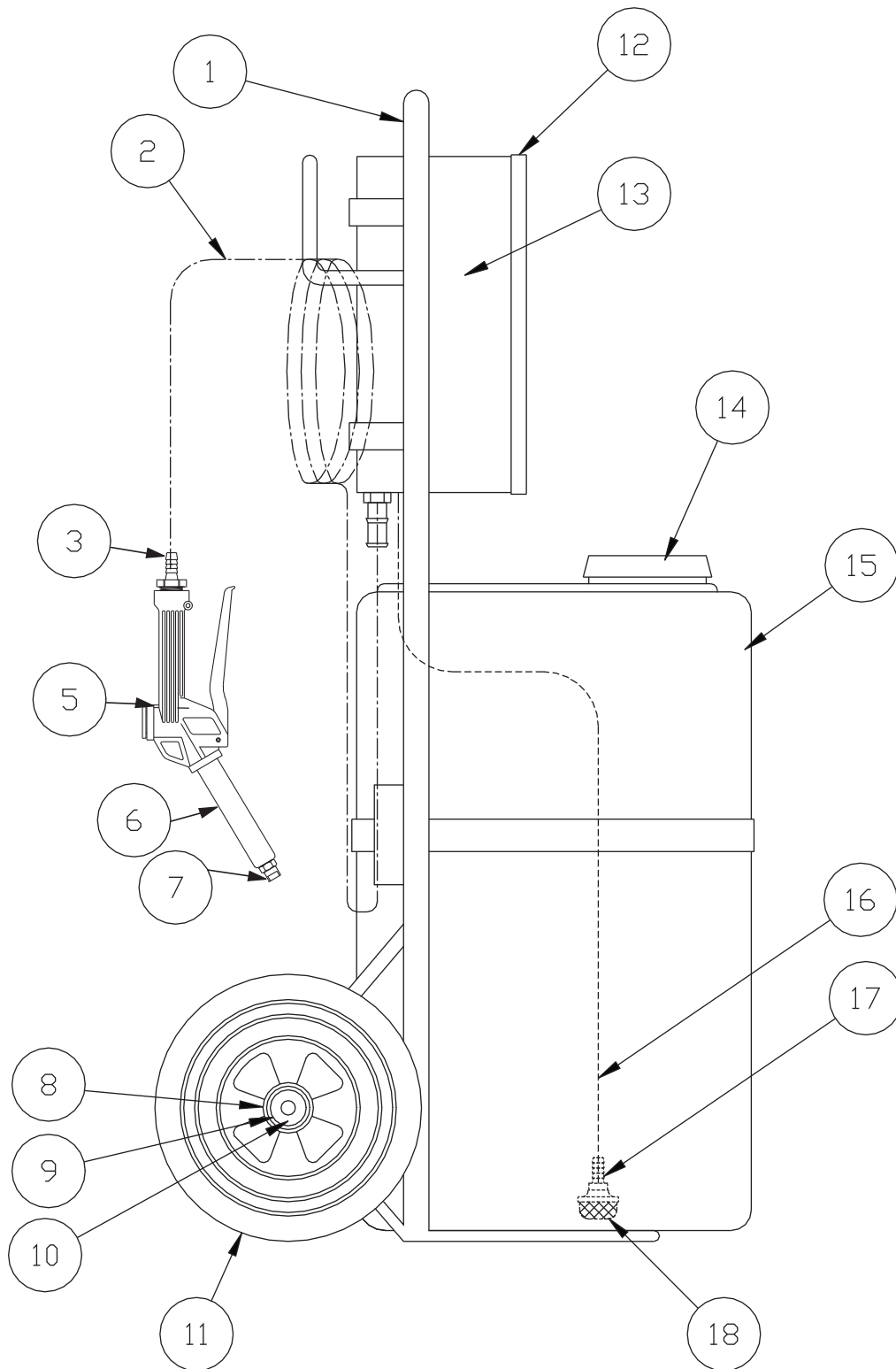
SI-15

15 GALLON PORTABLE SPRAYER



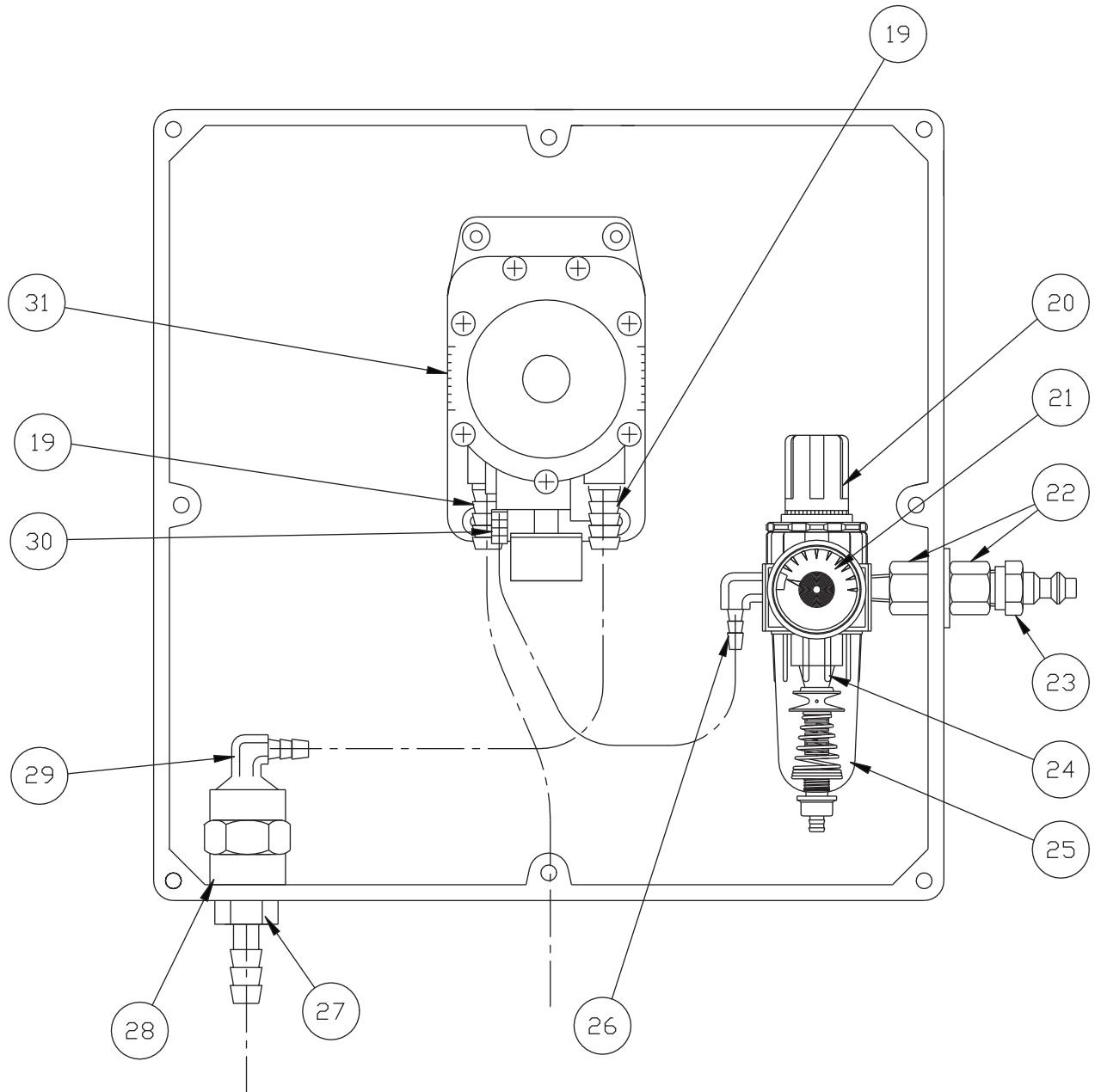
OWNER'S MANUAL

SI-15



SIDE VIEW

SI-15



FRONT VIEW - CONTROL BOX
COVER REMOVED

SI-15

PARTS LIST

ITEM	PART NO.	DESCRIPTION
1	CRT15	15 GALLON CART
2	H38-50'	50' X 3/8" DISCHARGE HOSE
3	HBSS1238	HOSE BARB 1/2" X 3/8"
5	PSG12	POLY SPRAY GUN
6	PW124-120	POLY WAND 4 IN SCH 120
7	ST2520	FAN SPRAY TIP
8	COT	COTTER PIN
9	FWAX15	AXEL WASHER
10	WB5	POLY BUSHING
11	W15	RUBBER WHEEL
12	PL1212-S15	12X12 POLYETHYLENE LID & DECAL
13	PB12126	12X12X6 POLYETHYLENE BOX
14	D-15	DRUM FILL CAP
15	D-15	15 GALLON DRUM ASSEMBLY W/SUCTION HOSE
16	H38-33"	SUCTION HOSE
17	HB1438	POLY HOSE BARB 1/4" X 3/8"
18	STR14	STRAINER
19	HB5638	PUMP HOSE BARB 3/8"
20	R25	REGULATOR & FILTER COMBO, INCLUDES ITEM# 28 & 29
21	AG100	AIR GAUGE
22	BA25	1/4" ADAPTER
23	AP25	AIR PLUG
24	AFR25	REPLACEMENT AIR FILTER FOR R25
25	ABR25	REPLACEMENT AIR BOWL FOR R25
26	HBBEL1414	HOSE BARB ELBOW 1/4" X 1/4"
27	HBSS1238	HOSE BARB 1/2" X 3/8"
28	SC1212	1/2" PIPE COUPLING
29	HBSEL1238	HOSE BARB ELBOW 1/2" X 3/8"
30	HB14P	PUMP HOSE BARB 1/4"
31	P56	PUMP
	SGA14	SANITIZER GUN ASSEMBLY FOR 3/8 IN HOSE

SI-15

SAFETY INSTRUCTIONS

1. ALWAYS WEAR SAFETY GOGGLES AND PROTECTIVE GLOVES WHILE OPERATING FOAM UNIT.
2. AVOID CONTACT OF CLEANING AGENT WITH SKIN AND EYES. IF CONTACT OCCURS RINSE AFFECTED AREA WITH WATER FOR 15 MINUTES AND GET MEDICAL ATTENTION IF NEEDED.
3. AFTER USE, RELIEVE ALL REMAINING PRESSURE IN THE SYSTEM BY UNPLUGGING THE AIR LINE FROM THE UNIT (ITEM# 23) AND OPENING THE DISCHARGE BALL VALVE (ITEM# 5).
4. NEVER POINT THE DISCHARGE WAND AT ANYONE.

SET-UP INSTRUCTIONS

1. REMOVE ALL PARTS FROM SHIPPING BOX.
2. CLIP THE CABLE TIE HOLDING THE COTTER PINS (ITEM# 6) AND AXLE WASHERS (ITEM# 7) FROM THE LEG OF THE CART.
3. PLACE ONE OF THE WASHERS (ITEM# 9) ON ONE OF THE AXLES, THEN SLIP A WHEEL (ITEM# 11) ON THE AXLE FOLLOWED BY A SECOND WASHER. THEN INSERT A COTTER PIN (ITEM# 8) INTO THE HOLE IN THE AXLE AND BEND THE COTTER PIN TO KEEP IT FROM FALLING OUT. REPEAT THIS FOR THE OTHER SIDE.

OPERATION INSTRUCTIONS

1. FILL THE DRUM WITH DESIRED COMBINATION OF CHEMICAL AND WATER.
2. PLUG AN AIR LINE INTO THE AIR INLET FITTING (ITEM# 23)
3. HOLD THE DISCHARGE WAND SECURELY IN HAND AND SPRAY DESIRED AREA.

WARNING: NEVER POINT THE DISCHARGE WAND AT ANYONE.

4. RELIEVE PRESSURE FROM DISCHARGE HOSE AFTER USE.

ACCEPTABLE PRODUCTS

- ALKALINE CLEANERS
- CAUSTIC CLEANERS
- SANITIZERS
- ACIDS

UNACCEPTABLE PRODUCTS

- ALL HYDROCARBONS
- D-LIMONENE